

# Manual de utilizare

Statie radio CB

PNI Escort HP 8001 ASQ



Inainte sa conectati sau sa utilizati acest produs, va rugam sa cititi cu atentie aceste instructiuni de utilizare si pastrati acest manual pentru o utilizare ulterioara.

NU EXISTA COMPONENTE CARE POT FI REPARATE DE UTILIZATOR.  
PENTRU REPARATII ADRESATI-VA UNUI SERVICE AUTORIZAT.

### ATENTIE:

PENTRU A PREVENI RISCUL DE INCENDIU NU UTILIZATI DECAT O SURSA  
DE ALIMENTARE CORESPUNZATOARE.

## CUPRINS

1. CARACTERISTICI PRINCIPALE .....	3
2. SPECIFICATII TEHNICE .....	3
3. DESCRIERE PRODUS .....	4
4. INSTALARE .....	6
5. SFATURI UTILE .....	7
6. FRECVENTELE SI PUTERILE LEGALE IN EUROPA SUNT:.....	8

## 1. Caracteristici principale

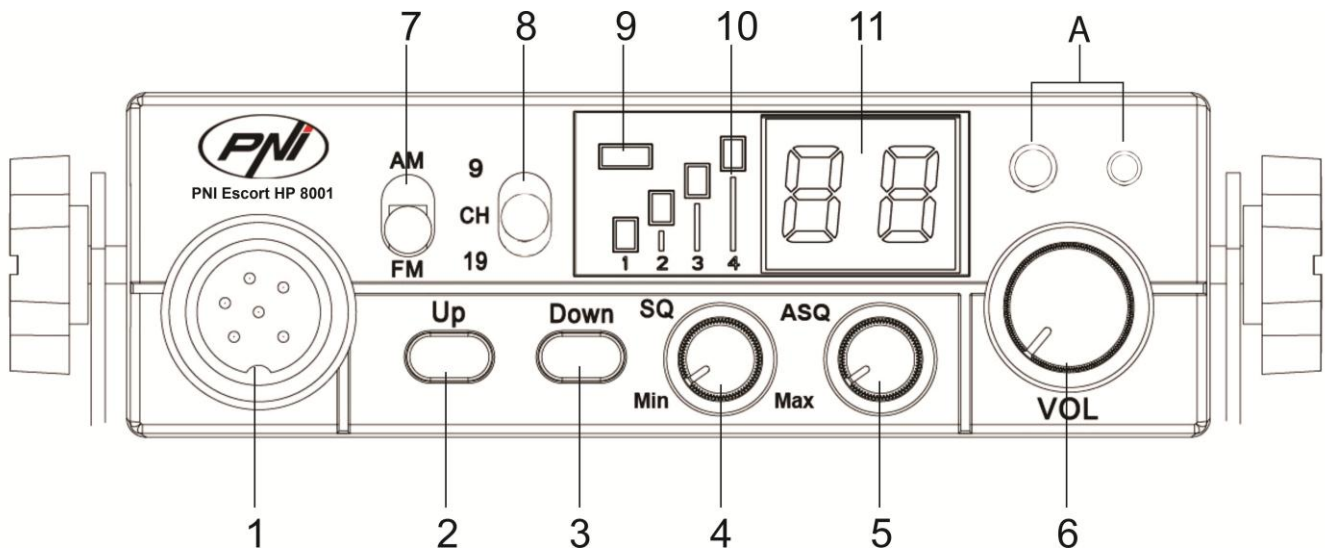
- 40 de canale FM/AM
- Comutator selectare mod FM/AM (AM functioneaza doar prin schimbarea normei)
- Comutator selectare canal de urgenta 9/19
- Butoane selectare canal UP/DOWN
- LED-uri indicatoare nivel semnal
- Indicator numar canal din 2 cifre
- Potentiometru volum si pornire/oprire statie
- Indicator LED verde pentru ASQ
- Microfon cu butoane de selectare canal (sus/jos) si activare ASQ
- Mufa microfon cu 6 pini pe panoul frontal
- Mufa pentru difuzor extern
- Squelch manual
- Squelch automat ajustabil
- Conector antena

## 2. Specificatii tehnice

Canale	40 AM/FM
Banda de frecventa	26.965 – 27.405 MHz
Control frecventa	P.L.L.
Temperatura de functionare	-10° - +55°C
Alimentare	13.8Vdc ±15%
Dimensiuni	115 x 36 x 152 mm
Greutate	0.8 kg
<b>Receptor</b>	
Frecventa intermediara	1° 10.7 MHz / 2° 450 KHz
Sensibilitate	-120dBm / 12dB SINAD (FM) -107dBm / 12dB SINAD (AM)
Iesire audio	@10% THD 2.5W la 8 ohm
Distorsiune audio	<8% at 1 KHz
Rejectie imagine	65 dB
Canal adiacent	85 dB
Consum curent	200 mA in stand-by

<b>Emitator</b>	
Putere maxima RF	4W FM la 13.8Vdc
Modulatie	85% la 90% (AM) 3KHz ±0.2 KHz (FM)
Impredanta antena	50 Ohm
Consum curent	2 A

### 3. Descriere produs



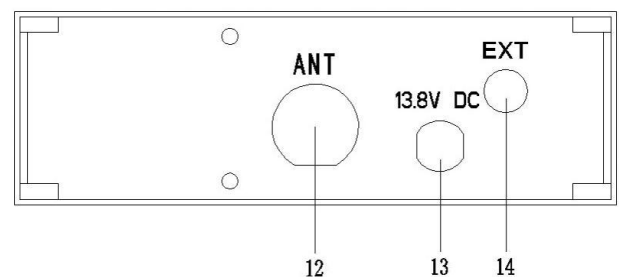
1. Conector 6 pini pentru microfon
2. Buton crestere numar canal
3. Buton scadere numar canal
4. Potentiometru ajustare squelch – squelch-ul face statia mai silentioasa prin eliminarea zgomotelor de pe fundal. Rotiti potentiometrul in sensul acelor de ceasornic pentru a reduce zgomotele, sau in sensul invers acelor de ceasornic daca doriti sa auziti si cele mai slabe semnale
5. Potentiometru ASQ – pentru a creste nivelul de ASQ rotiti potentiometrul in sensul acelor de ceasornic, in acest caz se reduce zgomotul de fundal, dar si nivelul semnalului receptionat. RECOMANDARE: porniti statia cu ASQ rotit la stanga.
6. Potentiometru pornire/oprire statie si ajustare volum – rotiti in sensul acelor de ceasornic pentru a porni statia si a mari volumul. Daca nu se receptioneaza nici un semnal va sugeram sa ajustati squelch-ul (prin rotirea potentiometrului SQ in sens invers acelor de ceasornic) si apoi volumul la un nivel confortabil. Cand este pornita din potentiometrul de volum, statia va memora ultimul canal utilizat.
7. Buton selectare mod AM/FM. (În AM functioneaza doar prin schimbarea

normei).

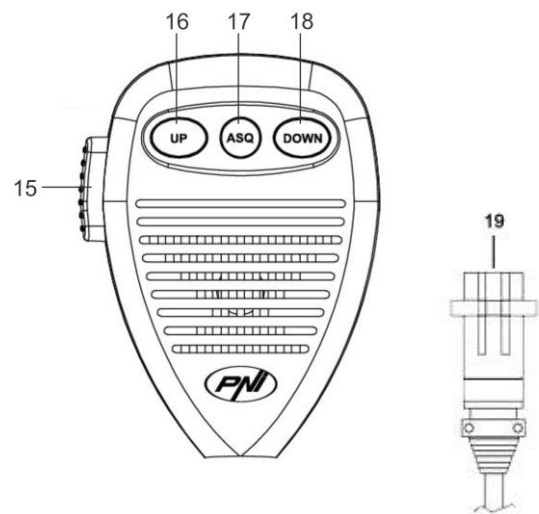
8. Comutator selectare canal de urgenta 9/19 sau mod normal de functionare CH. In modul CH se pot selecta toate celelalte canale 1~40. In Romania canalul utilizat este 22.
9. LED indicator TX/ASQ. In timpul emisiei LED-ul va fi rosu, iar cand functia ASQ este activata LED-ul va fi verde.
10. Indicator nivel semnal – indicator cu 4 bare pentru a monitoriza puterea semnalelor receptionate/emise
11. Ecran LED – afiseaza numarul canalului

#### A. Mufe pentru casca si microfon

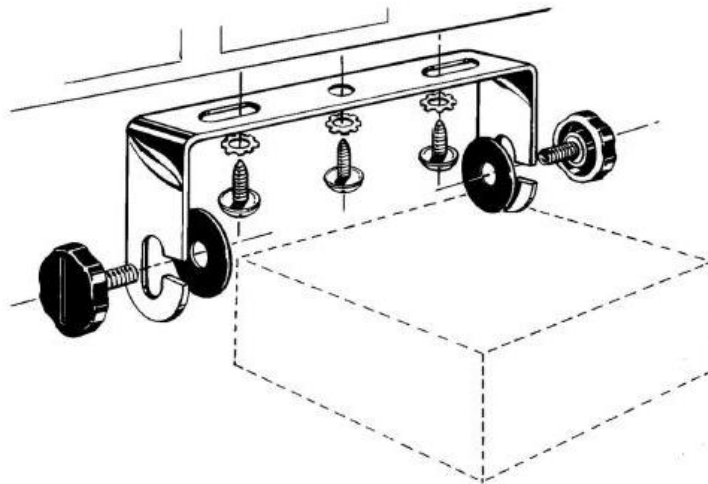
12. Conector antena
13. Cablu de alimentare 13.8VDC
14. Mufa pentru difuzor extern



15. Buton PTT – apasati pentru a emite
16. Buton marire numar canal
17. Buton activare/dezactivare functie ASQ
18. Buton microrare numar canal
19. Mufa 6 pini pentru conectarea microfonului in statie



## 4. Instalare



Înainte de a instala unitatea centrală în mașină, verificați și alegeți cea mai convenabilă poziție, pentru a avea acces ușor la stație și pentru a o putea folosi fără a vă deranja de la condus. Utilizați suportul și accesoriile din pachet pentru a instala stația. Șuruburile suportului trebuie strânse bine pentru a evita vibrația stației în timpul mersului. Suportul de montaj poate fi poziționat deasupra sau sub stație, iar aceasta poate fi înclinată în funcție de modul de instalare (sub bord sau sub tavanul cabinei de camion).

**ATENȚIE:** Asigurați-vă că tensiunea la care alimentați stația este cea indicată de fabricant.

**Instalarea unității centrale:** înainte de a alimenta stația, asigurați-vă că butonul de pornire este maxim la stânga. Cablul de alimentare al stației include o siguranță de protecție pe firul roșu. Conectați cablul de alimentare al stației la sistemul electric al autovehiculului cu atenție sporită la polaritate, chiar dacă stația are protecția la inversarea de polaritate. Conectați firul roșu la borna pozitivă (+) și firul negru la borna negativă (-) a sistemului electric al autovehiculului. Verificați corectitudinea conexiunilor efectuate, pentru a preveni deconectarea acestora sau un eventual scurtcircuit.

**ATENȚIE:** În cazul arderii siguranței nu o înlocuiți cu una de valoare mai mare. Cea din fabrică are 2A.

**Instalarea antenei:** pentru utilizarea stației aveți nevoie de o antenă specifică ce funcționează în frecvența 27.225MHz. Instalarea antenei trebuie efectuată de un tehnician specializat. Poziționați antena corespunzător pe

autovehicul. Inainte de a conecta antena la statie este necesara verificarea antenei cu un aparat specializat, altfel se poate defecta circuitul de emisie al statiei. De obicei antena trebuie pozitionata pe partea cea mai inalta a autovehiculului, fara a fi obstructionata de obstacole si cat mai departe de orice sursa electrica sau zgomot electromagnetic. Cablul coaxial al antenei nu trebuie sa fie intrerupt sau presat. Conectati mufa din capatul cablului coaxial al antenei la mufa de antena din spatele statiei.

**Verificarea functionarii statiei:** odata instalata statia si alimentata de la sistemul electric al autovehiculului, procedati in felul urmator pentru a verifica functionarea acesteia:

- Verificati daca alimentarea este conectata corect
- Verificati conexiunea antenei la statie
- Conectati microfonul la mufa de pe panoul frontal al statiei
- Porniti statia prin rotirea potentiometrului de volum in sensul acelor de ceasornic si ajustati volumul la nivelul dorit
- Selectati canalul dorit prin intermediul tastelor UP/DOWN de pe panoul frontal al statiei sau de pe microfon; in Romania se utilizeaza canalul 22
- Actionati butonul SQ in zona limita in care dispare zgomotul de fundal. Daca modul ASQ este activat (de pe microfon) butonul SQ nu mai functioneaza
- Apasati butonul PTT de pe microfon pentru a emite, si eliberati-l pentru a receptiona
- Verificati nivelul semnalului receptionat prin intermediul barelor de semnal de pe panoul frontal al statiei
- Porniti functia ASQ de pe microfon si reglati nivelul acestuia din butonul ASQ de pe panoul frontal al statiei

## 5. Sfaturi utile

- Nu inversati polaritatea de alimentare a statiei
- Nu inlocuiti siguranta arsa cu una de valoare mai mare; Cea din fabrica are 2A.
- Nu emiteti fara antena sau cu o antena defecta sau necalibrata, pentru a evita arderea finalului de emisie

- Reglati SQ si ASQ la limita disparitiei zgomotului de fundal. Prin rotirea butonul SQ in sensul acelor de ceasornic prea mult, nu veti receptiona decat semnalele puternice (cele emise din apropiere)

## 6. Frecventele si puterile legale in Europa sunt:

Italia 40CH AM/FM 4 watt

Italia 34CH AM/FM 4 watt

Germania 80 CH FM 4watt/ 12 CH AM 1watt

Germania 40 CH FM 4watt/ 12 CH AM 1watt

Europa 40 CH FM 4 watt/ 40 CH AM 1watt

Romania CEPT 40 CH FM 4watt

Spania 40 CH AM/FM 4watt

Franta 40 CH FM 4watt/ 40 CH AM 1watt

Anglia 40 CH FM 4watt frecvente engleze + EC 40 CH FM 4 watt frecvente CEPT

**ATENȚIE!** Acest produs este destinat sa fie utilizat in Romania si functioneaza pe norma EC Europa 40 CH FM 4 watt. Pentru a functiona in AM va trebui sa schimbati norma din EC in d.

**ATENȚIE!** In Romania este permis doar 1 watt pentru modulatie AM!

**Specificatiile se pot modifica fara preaviz!**





# USER MANUAL

CB RADIO

PNI Escort HP 8001 ASQ



Before connecting and using this product, please read carefully these instruction manual and keep it for later use.

THERE ARE NO COMPONENTS THAT CAN BE REPAIRED BY THE USER.  
FOR REPAIRS PLEASE REFER TO A N AUTHORIZED SERVICE.

**ATENTION:**

TO PREVENT FIRE HAZZARDS USE PROPER POWER SOURCE.

## CONTENTS

1. Main Features.....	4
2. Technical Indicators.....	4
3. Product description .....	5
4. Installation.....	7
5. Usefull tips.....	8
6. Legal frequencies and transmiting powers in Europe: .....	8

## 1. Main Features

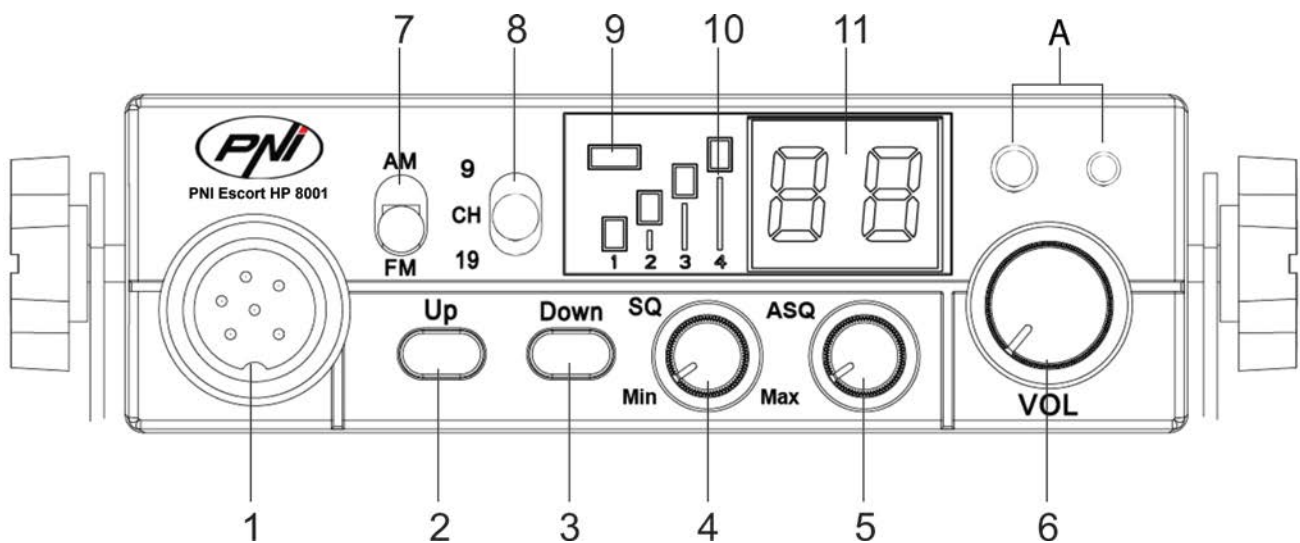
- 40 AM/FM channels
- P/E Frequency band selectable (Russia and EU band switchable )
- Mode AM/FM switch
- RSSI indication (4 PCS LED indications)
- 2 Digit channel indicator
- RF gain control
- Volume with power ON/OFF control
- TX/RX AS Q LED indicator
- Up /Down microphone
- Front microphone plug
- Jack for external speaker
- Manual Squelch
- ANT Connector

## 2. Technical Indicators

Channels	40 AM/FM
Frequency range	26.965 – 27.405 MHz
Frequency control	P.L.L.
Operating temperature	-10° - +55°C
DC input voltage	13.8Vdc ±15%
Size	115 x 36 x 152 mm
Weight	0.8 kg
<b>Receiver</b>	
IF	1° 10.7 MHz / 2° 450 KHz
Sensitivity	-120dBm / 12dB SINAD (FM) -107dBm / 12dB SINAD (AM)
Audio output	@10% THD 2.5W la 8 ohm
Audio distortion	<8% at 1 KHz
Image rejection	65 dB
Adjacent channel	85 dB
Current drain	200 mA in stand-by
<b>Transmitter</b>	

Maximum RF power	4W FM Ia 13.8Vdc
Modulation	85% Ia 90% (AM) 3KHz ±0.2 KHz (FM)
ANT impedance	50 Ohm
Current drain	2 A

### 3. Product description



- 1. MICROPHONE connector** : Connect the supplied **electric condenser microphone** to this connector, and then lock it via the ring nut.
- 2. UP KEY** : Press this key and channel NO. runs up.
- 3. DOWN KEY** : Press this key channel NO. runs down.
- 4. SQ knob** : The SQUELCH control allows to silent the receiver by cutting the background noise. Turn the SQUELCH knob anticlockwise until the background noise is cut. Rotate the SQUELCH knob clockwise (SQUELCH ON) to listen to the weakest signals.
- 5. ASQ knob** : to increase the ASQ level rotate the knob clockwise, in this case the background noise is reduced but also the received signal. Recommended: turn on the radio CB with the ASQ knob on the left.
- 6. OFF/VOL** : This knob controls the radio ON and OFF as well as adjusts the volume. If no signals are being received on the operating channel, it is suggested to turn on the SQUELCH and adjust the volume to the desired level while listening to the background noise. When it is turned on by operating the Volume knob, the radio will remember the channel, frequency, AM or FM used last time.

**7. AM/FM mode selector:** This switch allows selecting the modulation mode AM/ FM.

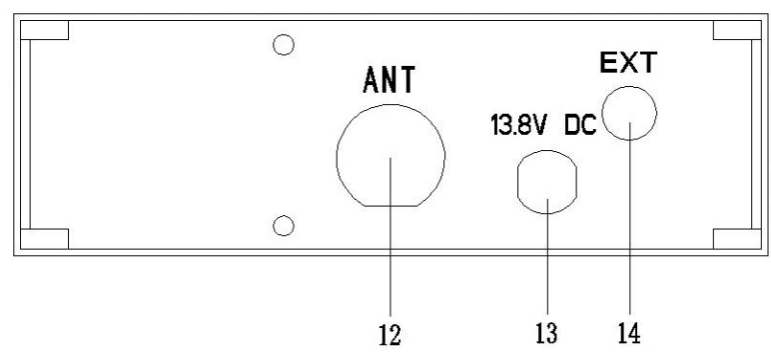
**8. Emergency channel or function mode selector:** with this button you can select one of the emergency channels 9/19 or the normal CH functioning mode. In the CH mode you can select the number of the channel you want to use. In Romania they use channel no22.

**9. TX/ASQ LED:** The indicator is bicolor light as red and green color. When TX is red color, when ASQ on is green light.

**10. RX Signal Meter:** 4-bar RX signal Meter to monitor the strength of the received signals.

**11. DISPLAY:** The digital LED display shows the channel.

**A. Earphone and Microphone Jack**



**12. ANTENNA CONNECTOR**

**13. 13.8 VDC POWER CORD**

**14. EXT (External Speaker) Jack**

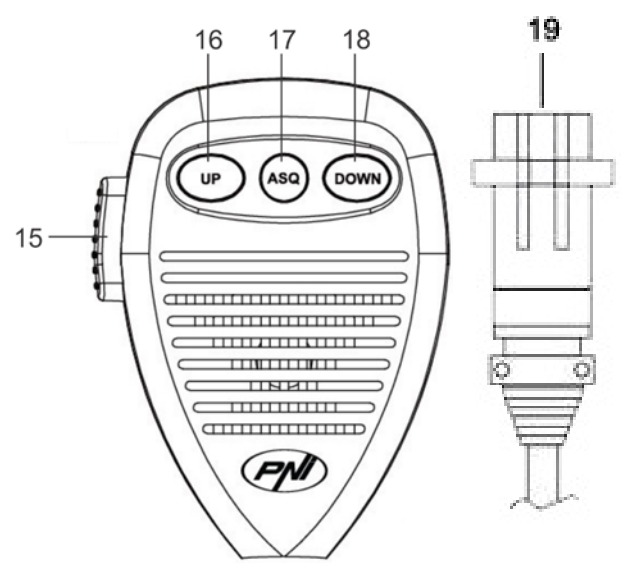
**15. PTT (Push-to-talk) key:** Push the button to talk then release to receiving mode.

**16. UP key of the microphone:** This switch allows increasing a channel number.

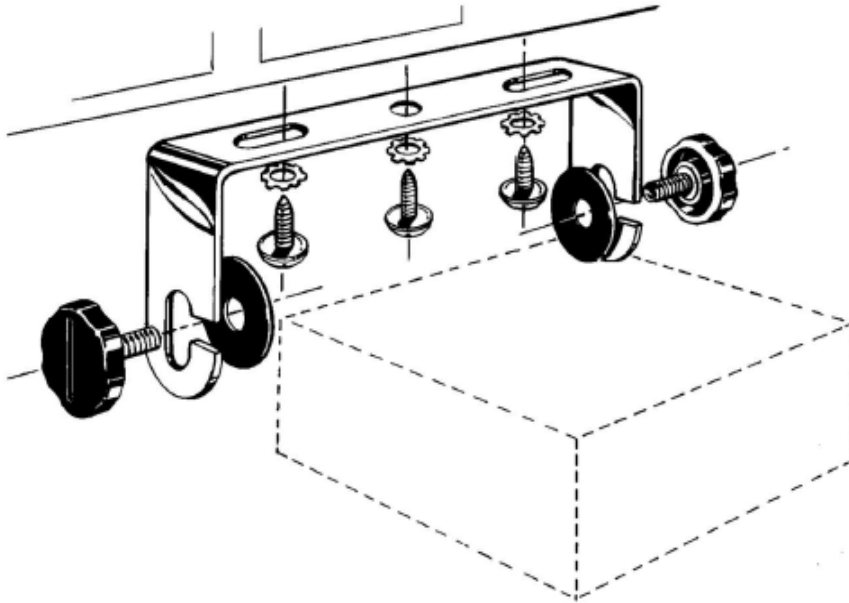
**17. ASQ:** Press this button, TX and ASQ on the LED would be green light, shows ASQ turn on.

**18. DN key of the microphone:** This switch allows decreasing a channel number.

**19. MICROPHONE plug:** 6-pole microphone plug with locking ring nut, to be connected to socket (1) located on the front side of the radio.



## 4. Installation



Before installing the main unit in the vehicle, please check and select the most convenient position, in order that the radio will be easy to reach and comfortable to operate without disturbing or interfering driving. Use the supplied bracket and hardware to install the radio. The bracket screws must be well tightened to avoid looseness as the vehicle vibrates. The car mounting bracket can be installed over or below the radio and the radio may be inclined as desired according to the specific type of installation (under dashboard or track cabin roof installation).

### **Installation of the Main Unit**

Before connecting the radio to the vehicle electric system, please make sure the radio is powered off with the OFF/VOL (6) knob completely turned anticlockwise at OFF position. The DC power cable of the radio includes a fuse holder with fuse located on the red positive (+) wire. Please connect the DC power cable to the vehicle electric system with special attention to correct polarity, even if the radio is protected against polarity inversion. Connect the red wire to the positive (+) pole and the black wire to the negative (-) pole of the vehicle electric system. Please make sure that the wires and terminals are firmly connected, to prevent cables from disconnecting or causing short circuits.

### **Installation of the Antenna**

A specific mobile antenna adjusted for 27 MHz frequency range must be used. The antenna installation must be done by a qualified technician or service center. Please install the antenna carefully on the vehicle with proper connection to ground. Before

connecting the antenna to the radio, it is necessary to check the correct operation of the antenna with low standing wave ratio (S.W.R.) via adequate instruments. If not, the transmitter circuit of the radio could be damaged. The antenna usually must be installed on the highest part of the vehicle, free from obstacles and as far away as possible from any source of electric or electromagnetic noise. The RF antenna coaxial cable must not be damaged or pressed on its way between antenna and the radio. The correct operation of the antenna and the low standing wave ratio (S.W.R.) must be checked periodically. Connect the RF antenna coaxial cable to the antenna connector (15), located on the rear side of the radio.

### **Checking Operation of the Radio**

Once radio has been connected to the vehicle electric system and to the antenna, the correct operation of the system should be checked. Please proceed as following:

- 1) Check that the power cable is correctly connected.
- 2) Check that the RF antenna coaxial cable is properly connected.
- 3) Connect the microphone to the connector (1) that is on the front side of the radio.
- 4) Rotate the SQUELCH (4) knob anticlockwise.
- 5) Turn radio on by the OFF/VOL (6) knob and adjust volume to the desired level.
- 6) Select the desired channel with the up/down key on the front side of the radio.
- 7) Rotate the SQUELCH (4) knob clockwise to cut the background noise.
- 8) Press the PTT key to transmit and release it to receive.
- 9) Check the level of the received and transmitted signals on the 4 bar RX signal Meter and TX LED. The transceiver will work correctly.

## **5. Useful tips**

- Do not invert power polarity
- Do not replace the fuse with a bigger one. The default is 2A.
- Do not transmit without an antenna connected, you risk damaging the device.
- Set the SQ and ASQ at the limit of the background noise.

## **6. Legal frequencies and transmitting powers in Europe:**

Italy 40CH AM/FM 4 watt

Italy 34CH AM/FM 4 watt

Germany 80 CH FM 4watt/ 12 CH AM 1watt

Germany 40 CH FM 4watt/ 12 CH AM 1watt

Europe 40 CH FM 4 watt/ 40 CH AM 1watt

Romania CEPT 40 CH FM 4watt

Spain 40 CH AM/FM 4watt

France 40 CH FM 4watt/ 40 CH AM 1watt

GB 40 CH FM 4watt English frequencies + EC 40 CH FM 4 watt CEPT frequencies

**Specifications subject to change without notice!**





# Felhasználói kézikönyv

Rádió-adó-vevő  
PNI Escort HP 8001 ASQ



A készülék első bekapcsolása vagy használata előtt, kérjük olvassa el figyelmesen ezeket az utasításokat és tartsa meg ezt a kézikönyvet a későbbi felhasználás céljából.

A KÉSZÜLÉK NEM TARTALMAZZA A FELHASZNÁLÓ ÁLTAL JAVÍTHATÓ EGYSÉGEKET, ÍGY MINDEN SZERVÍZFELADAT ELVÉGZÉSÉHEZ KÉRJE HIVATALOS SZERVÍZ SEGÍTSÉGÉT.

**FIGYELEM:**  
TŰZVESZÉLY MEGAKADÁLYOZÁSA ÉRDEKÉBEN, CSAK MEGFELELŐ ÁRAMFORRÁST HASZNÁLJON.

## TARTALOM

1. FŐBB JELLEMZŐK.....	3
2. MŰSZAKI ADATOK.....	3
3. TERMÉKLEÍRÁS.....	4
4. TELEPÍTÉS.....	5
5. TANÁCSOK.....	7

## 1. Főbb jellemzők

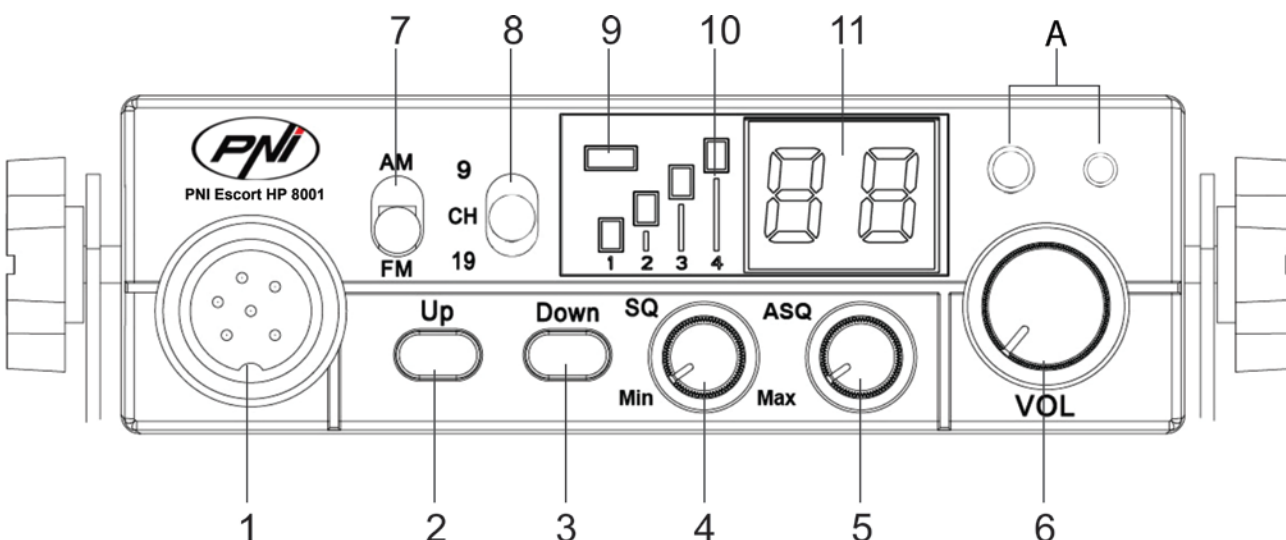
- 40 csatorna
- Üzemmod kapcsolóval AM/FM (AM-be csak akkor működik ha változik a norma)
- Sürgösségi csatorna kapcsoló 9/19
- Csatornaváltó gombok UP/DOWN
- LED kijelző
- 2 kijelzős csatornaszám
- Potenciaméter hangerő és Start/Stop adó-vevő
- Zöld LED ASQ kijelző
- Mikrofon gombok a csatorna kiválasztásához (le/fel) és az ASQ aktiválásához
- 6 pólusú mikrofon csatlakozó az előlapon
- Aljzat a külső hangszorónak
- Kézi zajszűrés
- Beállítható automatikus zajzár
- Antenna csatlakozó

## 2. Műszaki adatok

Csatorna	40 AM/FM
Sávszélesség	26.965 – 27.405 MHz
Frekvenciavezérlés	P.L.L.
Üzemi hőmérséklet	-10° - +55°C
Táplálás	13.8Vdc ±15%
Méretek	115 x 36 x 152 mm
Súly	0.8 kg
<b>Vevőegység</b>	
Köztes frekvencia	1° 10.7 MHz / 2° 450 KHz
Érzékenység	-120dBm / 12dB SINAD (FM) -107dBm / 12dB SINAD (AM)
Hangkimenet	@10% THD 2.5W la 8 ohm
Hangtorzítás	<8% at 1 KHz
Képfrekvencia elnyomás	65 dB
Szomszédos csatorna	85 dB
Fogyasztás	200 mA in stand-by

<b>Adóegység</b>	
Maximális teljesítmény	4W FM la 13.8Vdc
Moduláció	85% la 90% (AM) 3KHz $\pm$ 0.2 KHz (FM)
Ellenállás antenna	50 Ohm
Fogyasztás	2 A

### 3. Termék leírás



1. 6 pólusú mikrofon csatlakozó.
2. Csatornaszám növelő gomb.
3. Csatornaszám csökkentő gomb.
4. Potenciaméterrel rendelkező zajzár – a zajzár csendesíti az adó-vevő háttérzaját. Forgassa a potenciamétert az óramutató járásával megegyező irányba, hogy csökkentse a zajt, vagy azzal ellentétes irányba, ha azt szeretné, hogy a háttérzaj meggyengébb legyen.
5. ASQ potenciaméter – az ASQ szintjének növelése érdekében a potenciamétert forgassa az óramutató járásával megegyező irányba, ebben az esetben csökkenti a háttérzajt vagy a kapott jelet. **AJÁNLÁS:** az ASQ állomás bekapcsolásához forgassa balra.
6. Ki-/bekapcsó és hangerő szabályozó potenciaméter – forgassa az óramutató járásával megegyező irányba a bekapcsoláshoz és a hangerő növeléséhez. Ha nincs jel az a javaslat, hogy segít a zajzár (SQ – forgassa az óramutató járásával ellentétes irányba), majd a hangerőt egy kényelmes szintre. Amikor bekapcsolja és állítja a hangerőt, a készülék emlékezik az utolsó használt csatornára.
7. AM/FM kiválasztó gomb. (AM-be csak akkor működik ha változik a norma).

8. Sürgősségi csatorna kapcsoló 9/19 vagy CH normal mód működés. CH módban kiválaszthatja az összes többi csatornát 1-40.

9. LED kijelzős TX/ASQ. A LED kijelző piros ha ki van kapcsolva, de mikor működik az ASQ a LED kijelző zöld.

10. Jel kijelző – 4 báros kijelző ellenőrzi a jelerősséget

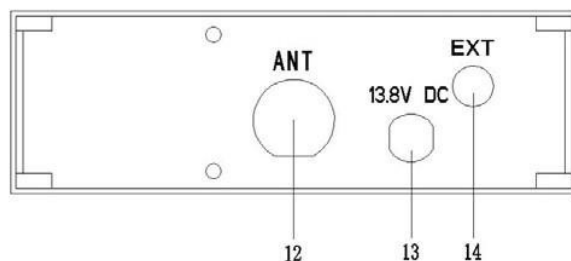
11. LED kijelző – megjeleníti a csatorna számát.

A. Fejhallgató és mikrofon csatlakozó

12. Antenna csatlakozó

13. Tápkábel csatlakozó 13.8VDC

14. Külső hangszóró csatlakozó



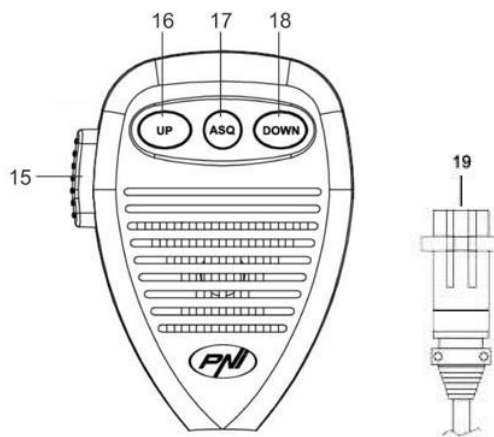
15. PTT gomb – adáshoz tartsa lenyomva

16. Csatorna szám növelés

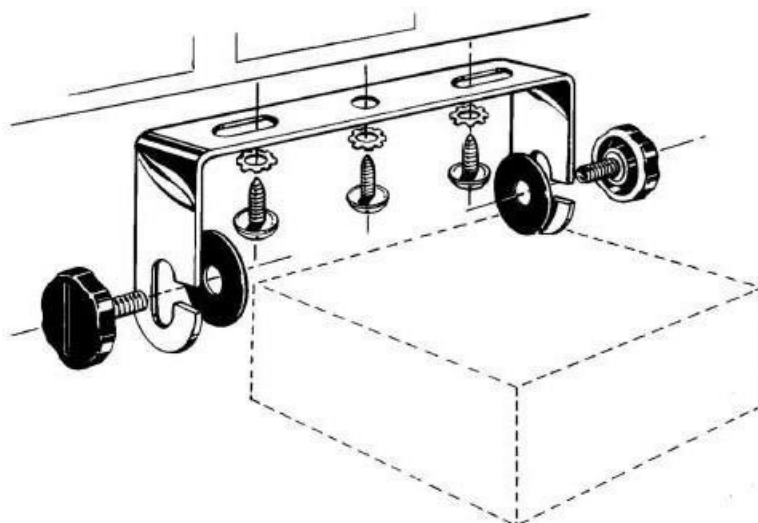
17. ASQ funkció gomb be-/kikapcsolása

18. Csatorna szám csökkentése

19. 6 tűs mikrofon tápvezeték



#### 4. Telepítés



A beszerelés megkezdését megelőzően tervezze meg a rádiókészülék és a mikrofontartó elhelyezkedését. Olyan helyet válasszon, ahol kényelmesen üzemeltethető, ugyanakkor nem zavarja a sofőrt vagy az utasokat.

Helyezze a tartókonzolba illesztett rádiót pontosan a kívánt helyre. Ha nincs interferencia, távolítsa el a konzolt és sablonként használva jelölje be az illesztőcsavarok helyét.

**FIGYELEM:** A rádiókészülék üzemeltetése előtt ellenőrizze, hogy a rádiót az üzemeltetés helye szerinti országban érvényes szabályozás által megengedett frekvenciasávokra és üzemmódokra programozták be.

**Központi egység telepítése:** mielőtt betáplálja a rádiókészüléket, győződjön meg arról, hogy a bekapcsoló potenciaméter maximálisan balra van csavarva. A tápkábelhez tartozik egy biztonsági piros huzal. Csatlakoztassa a rádiókészülék tápkábelét a gépjármű elektromos rendszerébe, vigyázva a polarításra, akkor is ha a rádiókészülék polarításvédett. Csatlakoztassa a piros vezetékét a pozitív (+) terminálra és a fekete vezetékét a negatív (-) terminálra, a gépjármű elektromos rendszerébe. Ellenőrizze a helyes csatlakoztatást, hogy elkerülje lekapcsolódást vagy a rövidzárlatot.

**FIGYELEM:** Ha a biztosíték kiégett ne helyettesítse egy magasabb értékűvel. 2A a gyári.

**Az antenna telepítése:** a rádiókészülék használatához szüksége van egy meghatározott antennára, amely működik a 27.225 MHz-es frekvencián. Az antenna beszerelését egy szakképzett szerelő kell elvégezze. Helyezze az antennát a gépjárműre. Mielőtt csatlakoztatja az antennát a rádiókészülékbe, ellenőrizni kell az antennát egy speciális eszközzel, másképp károsíthatja a rádiókészülék áramkörét. Általában az antennát a gépjármű legmagasabb pontjára kell elhelyezni, anélkül hogy bármilyen elektromos elem vagy elektromágneses zaj zavarná azt. Az antenna kábel ne legyen megszakítva vagy összenyomva. Csatlakoztassa az antenna kábelét a készülék hátulján "ANT" jelzéssel ellátott dugaszolóaljzatba.

**Ellenőrizze a rádiókészülék működését:** a készülék telepítését követően, a gépjármű elektromos rendszerébe, a működés ellenőrzéséhez az alábbiak a tennivalók:

- Ellenőrizze a tápkábel helyes csatlakozását
- Ellenőrizze az antenna rádiókészülékbe való csatlakoztatását
- Csatlakoztassa a mikrofonkábelét a készülék elején található dugaszolóaljzatba
- A készülék bekapcsolásához forgassa el a Be/Ki hangerő potenciamétert jobbra és állítsa be a megfelelő hangerőt.
- Válassza ki a kívánt csatornát az előlapon vagy a mikrofonon található UP/DOWN gombok segítségével.

- Nyomja meg az SQ gombot, így korlátozza a háttérzajt ameddig el nem tűnik. Ha az ASQ üzemmód aktiválva van (a mikrofonon) az SQ nem működik.
- Nyomja meg hosszan a PTT gombot a mikrofonon, így beszéljen és engedje el, ahhoz hogy hallja a választ.
- Ellenőrizze a jelerősséget a kijelzőn.
  - Kapcsolja be az ASQ funkciót a mikrofonon és állítsa be a szintet. Az ASQ gomb a készülék elején található.

## 5. Tanácsok

- Ne változtassa meg a készülék polaritását.
- Ha a biztosíték kiégett ne helyettesítse egy magasabb értékűvel. 2A a gyári.
- Ne próbáljon jelet adni antenna nélkül, meghibásodott vagy elmozdult antennával, hogy megelőzze a kiégetést.
- Állítsa az SQ és ASQ gombokkal háttérzajt, ameddig eltűnik. Ha túl sokat forgassa az SQ gombot az órajárásával megegyező irányba, akkor túl erős jeleket fog kapni.

## 6. Frekvenciák és megengedett hatáskörök Európában:

Olaszország 40CH AM/FM 4 watt

Olaszország 34CH AM/FM 4 watt

Németország 80 CH FM 4watt/ 12 CH AM 1watt

Németország 40 CH FM 4watt/ 12 CH AM 1watt

Európa 40 CH FM 4 watt/ 40 CH AM 1watt

Románia CEPT 40 CH FM 4watt

Spanyolország 40 CH AM/FM 4watt

Franciaország 40 CH FM 4watt/ 40 CH AM 1watt

Anglia 40 CH FM 4watt angol frekvencia + EC 40 CH FM 4 watt frekvencia CEPT

**FIGYELEM!** Ezt a terméket lehet használni egész Európában.

**A műszaki adatokat lehet változtatni bejelentés nélkül.**





# Наръчник

## СВ

## Статие Радио

(СВ = вб гражданин лента)

## PNI Escort HP 8001 ASQ



Преди да свързвате или използвате този продукт, моля, прочетете внимателно тези инструкции и запази това ръководство за бъдеща употреба.

Не са открити части, които могат да бъдат поправени от потребителя.  
Попитайте за ремонт в оторизиран сервиз.

**ВНИМАНИЕ:**

за Да се предотврати рискът от възникване на пожар, използвайте само източник на енергия съответно.

## СЪДЪРЖАНИЕ

1. ОСНОВНИ ХАРАКТЕРИСТИКИ.....	3
2. ТЕХНИЧЕСКИ ХАРАКТЕРИСТИКИ.....	3
3. ОПИСАНИЕ НА ПРОДУКТА.....	4
4. МОНТАЖ .....	5
5. Полезна информация.....	7

## Характеристики:

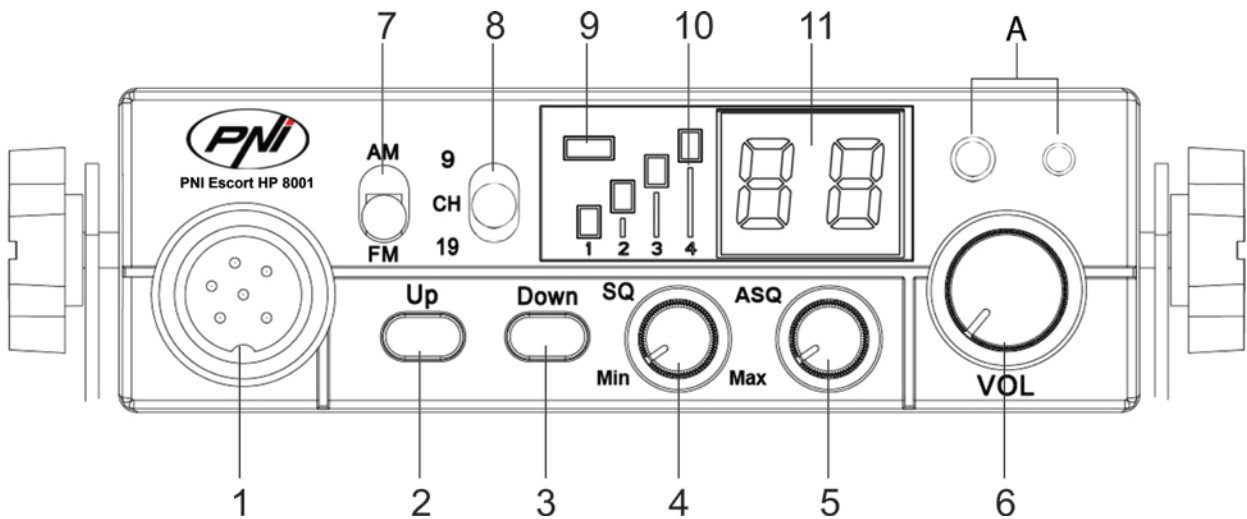
- 40 канала FM/AM
- Избор на режим на превключване FM / AM (AM работи само чрез промяна на нормата)
- Аварийен канал превключвател 9/19
- Бутони за избор на канал нагоре / надолу
- LED индикатори сигнализиращи ниво
- Индикатор 2-цифрен номер на канала
- потенциометър обем и старт / стоп станция
- зелена крушка (LED) индикатор за ASQ
- Бутони за избор на канал за микрофон (нагоре / надолу) и активиране на ASQ
- 6-пинов жак за микрофон на предния панел
- крик за външен високоговорител
- СЪДЪРЖАНИЕ шумоподтискане
- Регулируемо автоматично шумоподтискане
- Антена Connector

## 2. технически специализации

Канали	40 AM/FM
Честотна лента	26.965 – 27.405 MHz
Контрол чест	P.L.L.
Работна температура	-10° - +55°C
Хранене	13.8Vdc ±15%
Размери	115 x 36 x 152 mm
Тегло	0.8 kg
Приемник	
Междинно чест	1° 10.7 MHz / 2° 450 KHz
Чувствителност	-120dBm / 12dB SINAD (FM) -107dBm / 12dB SINAD (AM)
Производство звуков	@10% THD 2.5W la 8 ohm
Изопачаване звуков	<8% at 1 KHz
Отхвърляне изображение	65 dB
Съседен канал	85 dB
Консумация на енергия	200 mA in stand-by

Предавател	
Максимална мощност RF	4W FM la 13.8Vdc
Модулация	85% la 90% (AM) 3KHz ±0.2 KHz (FM)
Антенна импеданс	50 Ohm
Консумация на енергия	2 A

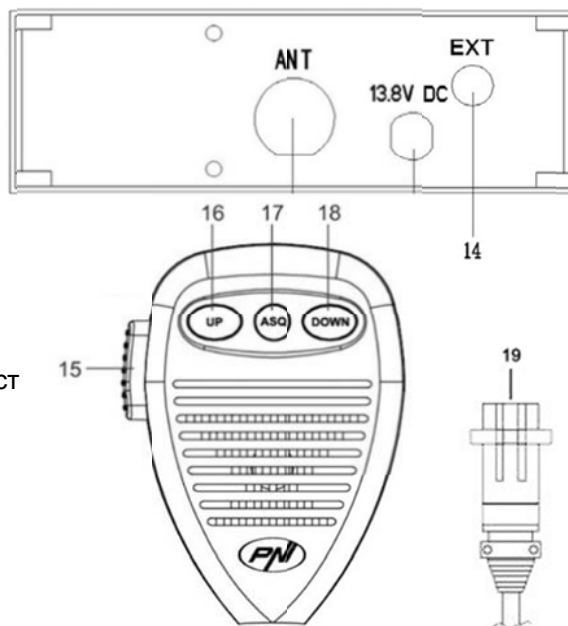
### 3. Описание на продукта



1. 6- пинов съединител за микрофон
2. Увеличете бутона на номера на канала
3. Бутон за определяне номера на канала
- 4 . Шумоподтискане и корекция на потенциометър - правят шумоподтискането на станцията тихо чрез премахване на фоновия шум . Завъртете потенциометъра по посока на часовниковата стрелка , за да се намали шумът , или обратно на часовниковата стрелка, ако искате да чуete дори и най-слабите сигнали.
- 5 . Потенциометър ASQ – за да се повиши нивото на ASQ Завъртете потенциометъра в посока на часовниковата стрелка , в този случай се намалява фоновия шум и на приемания сигнал . ПРЕПОРЪКА : започни с ASQ станция върти наляво.
6. Потенциометър за включване / изключване и регулиране на звука на станицята - Завъртете по часовниковата стрелка , за да включите станция и голям обем . Ако не се приема сигнал ние Ви предлагаме да регулирате шумоподтискането ( SQ в действие чрез завъртане

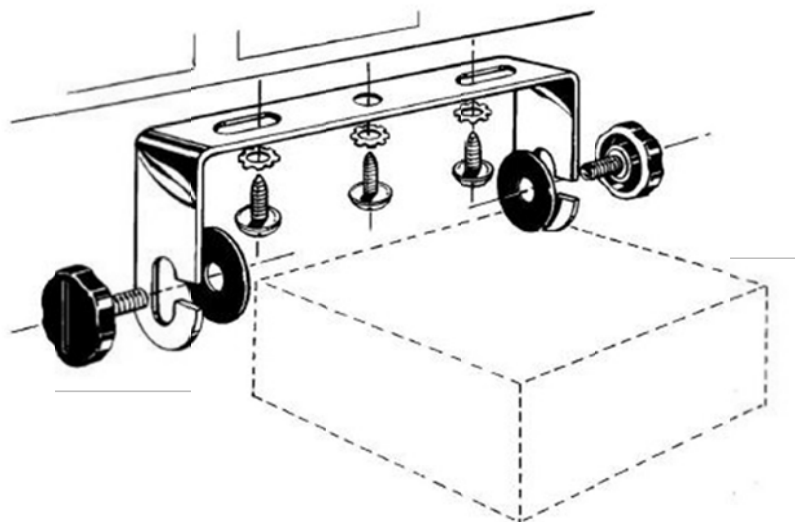
- потенциометър на часовниковата стрелка ) и след това силата на звука до удобно ниво .  
 Когато потенциометъра е на обем , станцията ще си спомни последния използван канал
- 7 . Бутон за избор на AM / FM . ( AM работи само чрез промяна на нормата ) .
  8. Аварийен канал превключвател 9.19 или функциониране СН нормално. На Режим СН можете да изберете всички други канали 1 ~ 40 . В Румъния използвания канал е 22.
  9. TX LED индикатор / ASQ . По време на емисиите LED ще бъде червено , и когато функцията на Asq се активира индикаторът ще свети в зелено .
  - 10.Индикатор сигнал - 4 индикатор бар за наблюдение на силата на сигнала , получени / изда
  - 11.LED дисплей - показва номера на канала
  - A. наушников и микрофона

12. Антена конектор
13. Кабел хранене 13.8Vdc
14. Крик за външен високоговорител



15. РТТ бутон - натиснете за да въпрос
16. Бутон брой Канал Увеличи
17. Бутон за включване / изключване в зависимост
18. Номер намаление Button канал
19. 6-пинов конектор за свързване на микрофон станция.

## 4. Монтаж



Преди монтиране на основното устройство в колата, проверете и изберете най-удобната позиция за лесен достъп до станицята и можете да го използвате без да се налага да се занимавате по време на шофиране. Използвайте подкрепа и аксесоарите в пакета, за да инсталирате станция. Скоба болтове трябва да се затегнат и да се избегнат вибрации на станцията по време на шофиране.

**ВНИМАНИЕ:** Уверете се, че напрежението, което се подава на станцията е 12V.

### **Инсталиране радиостанция СВ**

Преди да заредите станция, се уверете, че бутонът за захранването е максимално в ляво. Захранващят кабел на станцията включва защитна безопасността на червената жица. Включете захранващия кабел на станцията към електрическата система с внимание. Свържете червения кабел (+) към положителния (+) и черния проводник (-) към отрицателния полюс (-) на автомобила. Проверете верността на връзките, направени за да се предотврати тяхното изключване или късо съединение.

**ВНИМАНИЕ:**? Когато не изгаряне на бушон заменя с по-висока стойност. Използвайте една от 2A.

### **Инсталирайте антена**

Заизползване станция имате нужда от специфична антена, работеща в честота 27.225MHz на. Монтажът на Антената трябва да се извърши от квалифициран техник. Поставете антената на колата си правилно. Преди да свържете антената към антената на радиото е необходимо да се провери със специалист устройство, SWR метър, в противен случай тя може да повреди веригата на емисията радио. Обикновено на антената трябва да бъде поставен върху най-високата част на вашето превозно средство, без да бъдат възпрепятствани от различни пречки и по-далеч от всеки източник на електрически или електромагнитен шум. Антена коаксиален кабел не трябва да се прекъсва или пресован. Включете края на коаксиален кабел от антената към жака на антена на гърба на гарата.

### **Проверете работата на радиостанцията:**

Радиостанцията веднъж инсталирана се захранва от електрическата система на автомобила, направете следното, за да проверят функционирането:

- Проверете дали захранването е свързан правилно
- Проверете връзката на антената на радиостанцията
- Свържете жака за микрофон с предната част на радиостанцията.
- Включете радио чрез завъртане на потенциометъра в посока на часовниковата стрелка обем и регулирате силата на звука до желаното ниво .
- Изберете желания канал, като използвате бутона UP / DOWN на предния панел на радиото или до микрофона, в България с помощта на канал 22.
- Натиснете бутона в границата на SQ изчезва фоновия шум.

Ако режимът на ASQ е активиран (на микрофона) Бутон SQ не работи

- Натиснете бутона PTT на микрофона, за да изпълнява обещанията си, и го пуснете, за да получите
- Проверете сигнала, получен от сигналните барове в предната част на радиостанцията
- ASQ Започнете функция на микрофона и да регулирате нивото на бутон Asq на предната част на радиостанцията.

### **Полезна информация**

- Не обратна полярност мощност радиостанция .?
- Не сменяйте изгорял бушона с един от по-висока стойност, Заводът има 2A.
- Да не се излъчва не антена или неизправност антена или оразмерена да се избегнат емисиите изгаряне
- Регулиране на SQ и ASQ лимит изчезване фоновия шум. Чрез завъртане на копчето по часовниковата стрелка SQ прекалено много, вие ще получите не само силни сигнали (тези, отделяни в близост).

### **Честоти и юридически правомощия в Европа са:**

Италия 40CH AM / FM 4watt, AM1watt. Германия

80 CH FM 4 watt / 12 CH AM 1 watt Европа 40CH

FM 4 watt / 40CH AM 1watt Румъния CEPT 40CH

FM 4watt

България CEPT 40CH FM 4watt, AM 1watt

Испания 40 CH AM / FM 4watt

Франция 40 CH 4 watt FM / AM 40 CH 1 watt

Англия 40 CH FM честоти 4watt English + EC 40 CH FM 4watt посещават CEPT .

**ВНИМАНИЕ!** Този продукт е предназначен да бъде използван в България и работи на стандартни ЕС Европа 40 CH FM четириват. За да функционира в AM ще трябва да се промени в норма на ЕС в г ( D).

Спецификациите подлежат на промяна без предупреждение!

CE !  

