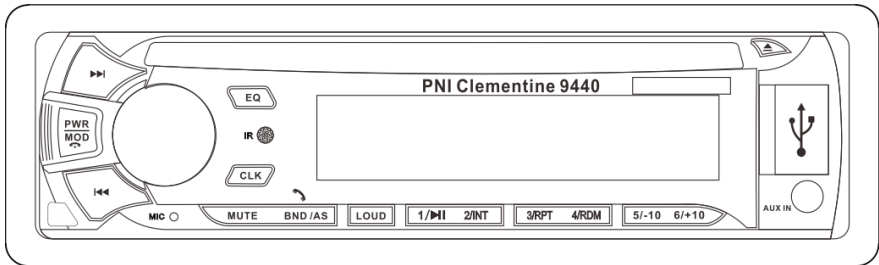




PNI Clementine 9440



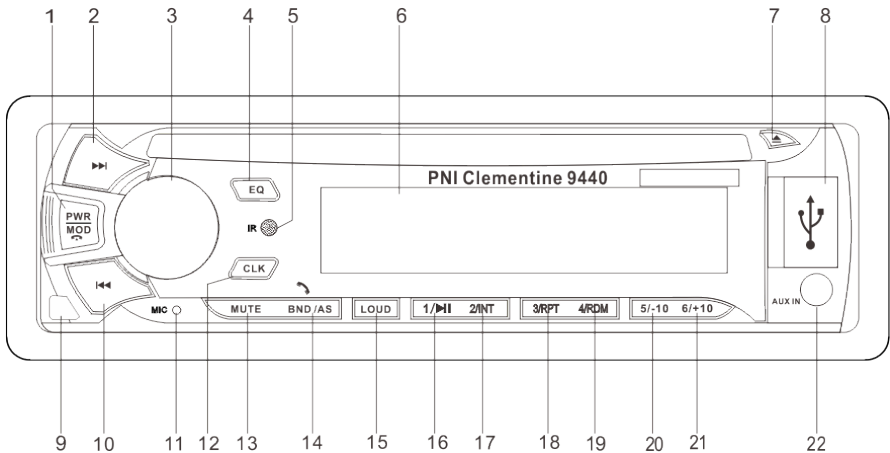
User manual	2
Manual de utilizare	11
Felhasználói kézikönyv	20
Instrukcja obsługi	29



PNI Clementine 9440

User manual

Control panel



- | | | |
|-------------------------|-----------------------------|---------------|
| 1. Power/Mode (hang up) | 8. USB port | 15. LOUD |
| 2. Next | 9. Release front panel | 16. 1/▶ |
| 3. Volume | 10. Previous | 17. 2/Intro |
| 4. EQ (Equalizer) | 11. Microphone | 18. 3/Repeat |
| 5. RC sensor | 12. Clock | 19. 4/Random |
| 6. LCD Screen | 13. Mute | 20. 5/-10s |
| 7. Eject key | 14. FM Band/AS(answer call) | 21. 6/+10s |
| | | 22. AUX input |

Basic operation

1. Power on/off/Mode

Short press PWR/MOD to turn on the device.

Long press PWR/MOD to turn off.

In powered on status, short press PWR/MOD to select playback source:



Note: DISC/USB/SD sources are only available when corresponding device is connected.

2. Band switch/Auto storage (BND/AS)

In radio mode short press BND/AS to switch between FM bands (FM1, FM2, FM3).

Long press BND/AS to autostore the FM channels. The device will automatically search radio channels and store them on the 1-6 keys.

When storage is completed, the device will play every channel for 5 seconds.

Short press BND/AS to choose the desired channel.

3. Next

In radio mode, short press ►► key to automatically search the next channels, long press to manually search the next channels.

In DISC/USB/SD mode, short press ►► key to play the next file, long press to fast forward.

4. Previous

In radio mode, short press ◀◀ key to automatically search previous channels, long press to manually search the previous channels.

In DISC/USB/SD mode, short press ◀◀ to play the previous file, long press to rewind.

5. Volume

1) Turn the volume knob clockwise(CW) to increase the volume or counterclockwise(CCW) to decrease the volume.

2) Short press the volume knob to enter sound settings: BAS, TRE, BAL, FAD, LOUD, DSP, VOL.

3) Short press volume knob, "BAS 00" will be displayed and then rotate the knob CW to increase or CCW to decrease bass level.

Adjusting range: "BAS-07" ~ "BAS+07".

Short press again, "TRE 00" will be displayed and then rotate the knob CW to increase or CCW to decrease treble level.

Adjusting range: "TRE-07" ~ "TRE+07".

Short press again, "BAL 00" will be displayed and then rotate the knob CW to decrease left speakers volume or CCW to decrease right speakers volume.

Adjusting range: "L10" ~ "R10".

Short press again, "FAD 00" will be displayed and then rotate the knob CW to decrease rear speakers volume or CCW to decrease front speakers volume.

Adjusting range: "F10" ~ "R10".

Short press again, "LOUD OFF" will be displayed, then rotate the volume knob to select "LOUD ON".

Short press again, "DSP OFF" will be displayed, then rotate the volume knob to select equalizer type: CLASS, ROCK, POP, FLAT, DSP OFF.

Short press again, "DX" will be displayed, then rotate the volume knob to select LOCAL ("LOC").

Short press again, "STEREO" will be displayed, then rotate the volume knob to select "MONO".

6. Short press the **RESET** button to reset the unit.

7. Clock adjustment

Short press CLK key, the clock will be displayed. Long press CLK key, clock digits will be flashing on the screen, then rotate the volume knob to set the hour.

Short press CLK key to set the minute and then rotate the volume knob to adjust.

Press again CLK key.

8. 1/▶▶

In radio mode press 1/▶▶ key to listen to the channel stored on this position.

Long press to store manually searched channel.

In DISC/USB/SD modes short press 1/▶▶ key to play/pause.

9. 2/INT

In radio mode press 2/INT key to listen to the channel stored on this position.

Long press to store manually searched channel.

In DISC/USB/SD modes short press 2/INT, the device will play first 10 seconds from each file.

10. 3/RPT

In radio mode press 3/RPT key to listen to the channel stored on this position.

Long press to store manually searched channel.

In DISC/USB/SD modes short press 3/RPT to repeat current file.

11. 4/RDM

In radio mode press 4/RDM key to listen to the channel stored on this position.

Long press to store manually searched channel.

In DISC/USB/SD modes short press 4/RDM to random play files.

12. 5/-10

In radio mode press 5/-10 key to listen to the channel stored on this position.

Long press to store manually searched channel.

In DISC/USB/SD modes short press 5/-10 to jump 10 files back.

13. 6/+10

In radio mode press 6/+10 key to listen to the channel stored on this position.

Long press to store manually searched channel.

In DISC/USB/SD modes short press 6/+10 to jump 10 files forward.

14. MUTE

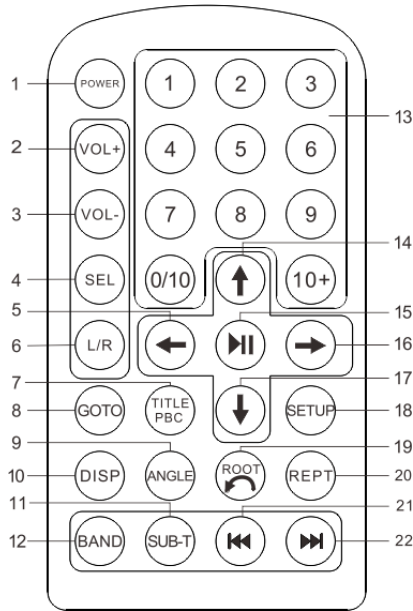
Short press MUTE to mute the sound. Press again to turn back on.

15. EQ

Press EQ to choose between equalizer modes.

Choose between following presets: CLASSIC, ROCK, POP, FLAT, DSP OFF.

Remote control



1. POWER: short press to turn on, long press to turn off.
2. VOL+: short press to increase the volume or adjust the clock.
3. VOL-: short press to decrease the volume or adjust the clock.
4. SEL: to edit BAS, TRE, BAL,FAD, BEEP, EQ, LOUD, LOC and STEREO.
5. ←: short press to navigate left.
6. L/R: short press to select audio track or stereo.
7. TITLE/PBC: In DVD mode, short press to display file title. In VCD mode, short press to activate playback controls.
8. GOTO: short press GOTO to jump to a specific file.
9. ANGLE: short press to adjust multi-angle playback control.
10. DISP: short press to show the time, long press to adjust the clock.
11. SUB-T: short pres to enable subtitle display control.

12. BAND: in radio mode, short press to switch between FM bands.
13. Numbers: short press the numbers to play the corresponding stored channels.
14. ↑: short press to navigate up.
15. ►: confirm settings.
pause/playback function.
16. →: short press to navigate right.
17. ↓: short press to navigate down.
18. SETUP: short press to enter system settings.
19. ↶: return to the main menu.
20. REPT: short press to repeat current file.
21. ◀: short press to play the previous file or automatically search previous channel, long press to rewind or manually search previous.
22. ▶: short press to to play the next file or automatically search next channel, long press to fast forward or manually search next channel.

Bluetooth pairing

1. Bluetooth pairing

With the device turned on, the Bluetooth will automatically start of matching or searching.

If the phone has been connected before, then it will automatically connect, if the bluetooth is activated.

The device can connect via Bluetooth to one phone at a time.
Disconnect the current phone if you want to connect another one.

2. Hands-free function

Answer call: when a call it's being received, it will ring in the car speakers and the phone's also. Press BND/AS key on the device or directly answer on the phone.

Hang up: to hang up the phone call, press PWR/MOD key on the device or simply hang up from the phone.

Call volume: to adjust call volume simply rotate the volume knob to the corresponding direction or directly from the phone.

3. Audio playback

When the phone it's connected to the device, press PWR/MOD to switch to "Bluetooth music", then simply play the audio file from your phone.

Disc playback operation

Press PWR/MOD key to enter DISC mode.

It wil play the last file played last time.

Short press ▲ to eject the disc.

The device will automaticaly switch to radio mode.

In DISC mode, short press ►► to play the next file.

Long press ►► key, the device will fast forward at 2x speed,
long press ►► key again, it will speed up to 4x, and so on to 8x, 20x.

Press 1/ ►► key to return to normal speed play.


CD playback

In CD mode, short press ◀◀/ ►► to change files.

Press 10+ key on the remote, then press the numbers to jump to a corresponding file.

VCD Playback

VCD playback is similar to CD/MP3 playback.

For VCD 2.0 you can use the disc menu if it has one. Short press play button to select a file. Short press  button to return to the menu.

DVD Playback

DVD playback is similar to VCD 2.0 playback.

If the disc supports multiple audio tracks, press L/R key to switch between.

If the disc supports multi-subtitle, press SUB-T key to change subtitle.

If the disc supports multi-angle, press ANGLE to change.

For more functions, press SETUP to edit.

When playing video or audio files, the corresponding icon will appear on the screen.

Note: If the disc is not compatible or cannot be read, the device will automatically switch to radio mode.

Multimedia operation

When you have multimedia files on the selected source, such as audio, photo or video, you can switch between them by long pressing BND/AS key.

Radio operation

The device can store up to 18 FM channels (FM1, FM2, FM3, with 6 channels each).

Frequency range is between 87.5MHz and 108MHz, with 50KHz steps.



In radio mode, short press BND/AS to switch between FM1, FM2 and FM3.

Auto store channels (BND/AS)

In radio mode, long press BND/AS. The device will automatically search channels and store them to the corresponding number. (1-6)

Search channels

In radio mode, short press  /  to automatically search previous or next channels

Long press  /  to manually search previous or next channels.

Manual storage

When a channel is found after manual search, long press one of the 6 memory buttons to store the channel on that position.

To listen to a stored channel, simply press one of the memory buttons corresponding to the desired channel.

AUX input

Auxiliary input (AUX IN)

Short press POW/MOD key to select AUX input source.
This function can be used with an audio cable.

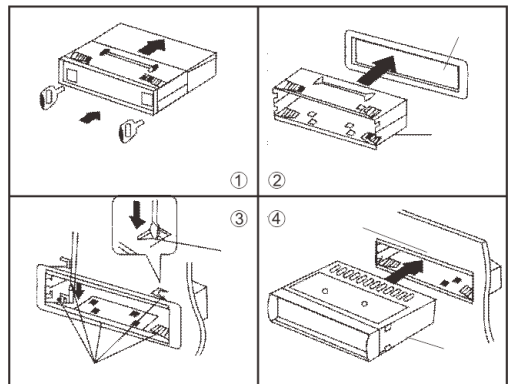
Specifications

FM	
Frequency range	87.5 MHz - 108 MHz
Maximum sensitivity	≤ 37 dBf
Signal to noise ratio	≥ 35 dB
Stereo separation	≥ 20 dB
Disc playback	
Supported formats	DVD/VCD/MP4/MP3/CD
Electronic shock protection time	DVD: 4s / VCD: 10s
Frequency response	(100 Hz ~ 10 kHz) ± 8 dB
Signal to noise ratio	≥ 35 dB
Channel separation	≥ 25 dB
Harmonic voltage distortion	≤ 5 %
Stereo channel balance	≤ 3 dB
General specifications	
Voltage	DC 12 V
Maximum output power	45W x 4
Speaker impedance	4 Ω ~ 8 Ω
Size	178 x 50 x 162 mm

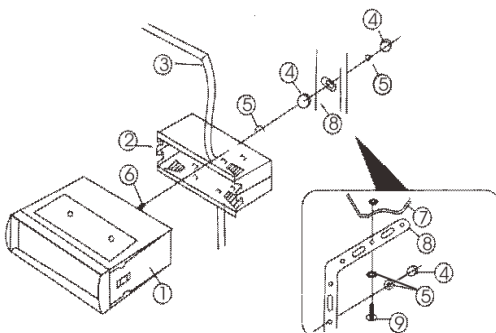
Installation instructions

1. Read carefully before installing the device.
 2. The device should be installed by professional installer.
 3. After connecting all the other parts(speakers, radio antenna, etc), connect the power wires.
 4. Exposed wires should be insulated.
 5. Before installing the device, wires should be tucked away neatly.
 6. The device should be connected only to direct current of 10V~15V.
 7. Connect the wires according to the connection diagram.
- Any mistake will cause malfunctioning or damaging the electric system.

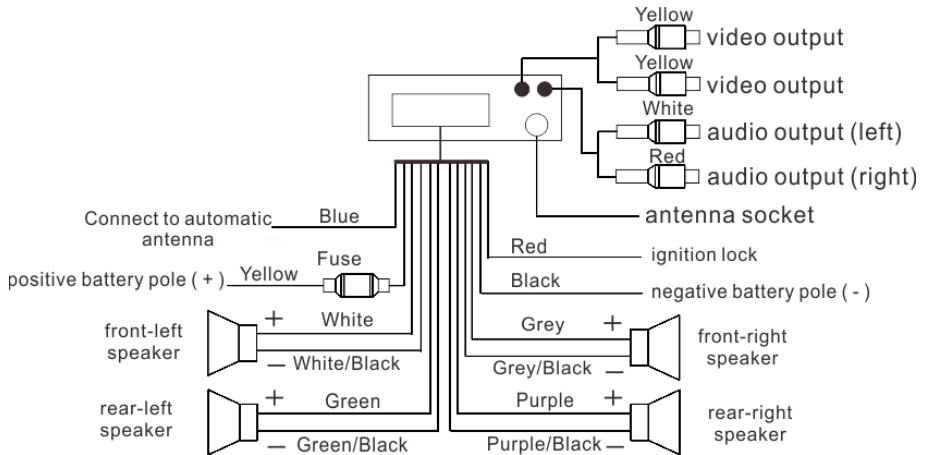
1. Removing keys.
2. Mount the 1DIN frame in the dashboard
3. Curve the blocks to fit the frame in the dashboard.
4. Slide the main unit into the frame.



Procedure of installation



Connection diagram



Troubleshooting

Fault	Reason	Solution
Power is OFF	<ol style="list-style-type: none"> 1. Power supply is not properly connected. 2. The fuse is broken or the power wire is not connected. 	<p>Connect the power supply properly. Check the fuse and the power wire.</p>
No display on LCD	<ol style="list-style-type: none"> 1. Yellow wire is not connected with the ignition lock wire. 2. The fuse in the yellow wire is broken. 	<p>Check if the yellow wire is connected with the ignition lock wire. Replace the fuse.</p>
No sound	<ol style="list-style-type: none"> 1. The power is not connected. 2. Speaker wires are not connected. 3. There are no files on the USB memory, or the SD/MMC memory card. 4. SD/MMC card or USB memory is not properly connected. 	<p>Replace power supply plug. Check speaker wiring. Check SD/MMC memory card or the USB memory and clean it with ethyl alcohol if it's dirty.</p>
Low sound or not clear	<ol style="list-style-type: none"> 1. Battery power is low. 2. Antenna is not properly connected. 	<p>Replace car battery. Check antenna connection.</p>
Sound is mono	<ol style="list-style-type: none"> 1. One of the speakers is not connected. 2. Amplifier circuit is broken. 	<p>Check and connect all speakers. Replace circuit.</p>

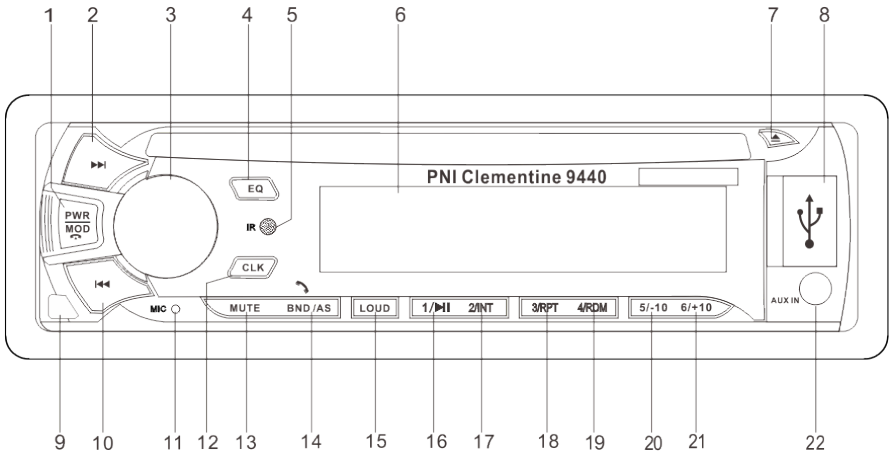
Note: Technical data is subject to change without prior notice.



PNI Clementine 9440

Manual de utilizare

Panou frontal



- 1. Pornire/Mod(oprire apel)
- 2. Next (Urmatorul)
- 3. Volum
- 4. EQ (Egalizator)
- 5. Senzor telecomanda
- 6. Ecran LCD
- 7. Eject

- 8. Port USB
- 9. Eliberare panou frontal
- 10. Previous (Anterior)
- 11. Microfon
- 12. Ceas
- 13. Mute
- 14. Banda FM/AS
(Raspunde Apel)

- 15. LOUD
- 16. 1/|HI
- 17. 2/Intro
- 18. 3/Repetare
- 19. 4/Aleator
- 20. 5/-10s
- 21. 6/+10s
- 22. Intraire AUX

Operatii de baza

1. Pornire/Oprire/Mod

Apasati scurt butonul PWR/MOD pentru a porni dispozitivul.

Tineti apasat lung pentru oprire.

Cand este pornit, apasati scurt butonul PWR/MOD pentru a selecta sursa de redare:

RADIO → DISC → USB → SD → AUX → BT

Nota: Sursele de redare DISC/USB/SD sunt disponibile doar atunci cand este introdus un suport media de acest tip.

2. Schimbarea benzii/Memorare automata (BND/AS)

In modul radio, apasati scurt butonul BND/AS pentru a schimba banda radio. Apasati lung butonul BND/AS pentru memorarea automata a canalelor. Dispozitivul va incepe cautarea canalelor si le va memora pe butoanele numerotate de la 1 la 6. Dupa ce se vor memora canalele gasite, dispozitivul va reda fiecare din canalele memorate timp de 5 secunde.

Apasati scurt butonul BND/AS pentru a selecta canalul dorit.

3. Next (urmatorul)

In modul radio, apasati scurt tasta ►► pentru a cauta automat canalele urmatoare, apasati lung pentru cautare manuala a urmatoarelor canale.

In modul DISC/USB/SD, apasati scurt tasta ►► pentru a trece la urmatorul fisier, apasati lung pentru a derula inainte.

4. Previous (anterior)

In modul radio, apasati scurt tasta ◀◀ pentru a cauta automat canalele anterioare, apasati lung pentru a cauta manual canalele anterioare.

In modul DISC/USB/SD apasati scurt tasta ◀◀ pentru a trece la fisierul anterior, apasati lung pentru a derula inapoi.

5. Volum

1) Intoarceti butonul de volum spre dreapta pentru a creste volumul si spre stanga pentru a reduce volumul.

2) Apasati scurt pe rotita de volum pentru a intra in meniul de setari, precum: BAS, TRE, BAL, FAD, LOUD, DSP, VOL.

3) Apasati scurt pe butonul de volum, va fi afisat "BAS 00", apoi rotiti butonul spre dreapta pentru a creste sau spre stanga pentru a descreste nivelul de bass.

Intervalul de ajustare este de la "BAS-07" pana la "BAS+07".

Apasati inca o data scurt, va fi afisat "TRE 00", apoi rotiti butonul de volum spre dreapta pentru a creste sau spre stanga pentru a descreste nivelul de treble.

Intervalul de ajustare este de la "TRE-07" pana la "TRE+07".

Apasati inca o data scurt, va fi afisat "BAL 00", apoi rotiti butonul de volum spre dreapta pentru a descreste volumul difuzoarelor din stanga sau spre stanga pentru a descreste volumul difuzoarelor din dreapta.

Intervalul de ajustare este de la "L10" pana la "R10".

Apasati inca o data scurt, va fi afisat "FAD 00", apoi rotiti butonul de volum spre dreapta pentru a descreste volumul difuzoarelor din spate sau spre stanga pentru a descreste volumul difuzoarelor din fata.

Intervalul de ajustare este de la "F10" pana la "R10".

Apasati scurt inca o data, va fi afisat "LOUD OFF", apoi rotiti butonul de volum pentru a selecta "LOUD ON".

Apasati scurt inca o data, va fi afisat "DSP OFF", apoi rotiti butonul de volum pentru a selecta modul de egalizare: CLASS, ROCK, POP, FLAT, DSP OFF.

In modul radio, apasati scurt inca o data, va fi afisat "DX", apoi rotiti butonul de volum pentru a selecta LOCAL ("LOC").

Apasati scurt inca o data, va fi afisat "STEREO", apoi rotiti butonul de volum pentru a selecta "MONO".

6. Apasati scurt butonul **RESET** pentru a reporni dispozitivul

7. Reglarea ceasului

Apasati scurt tasta CLK, va fi afisata ora. Apasati lung tasta CLK, pe ecran se vor afisa cifrele orei in mod pulsatoriu, apoi rotiti butonul de volum pentru a seta ora.

Apasati scurt tasta CLK pentru a seta minutul. Rotiti butonul de volum pentru a ajusta.

Apasati inca o data scurt tasta CLK.

8. 1/▶▶

In modul radio apasati scurt tasta 1/▶▶ pentru a asculta canalul memorat.

Apasati lung pentru a memora un canal pe aceasta pozitie.

In modul DISC/USB/SD apasati scurt tasta 1/▶▶ pentru a pune pauza.

9. 2/INT

In modul radio apasati scurt tasta 2/INT pentru a asculta canalul memorat.

Apasati lung pentru a memora un canal pe aceasta pozitie.

In modul DISC/USB/SD apasati scurt tasta 2/INT si dispozitivul va reda cate 10 secunde din fiecare fisier.

10. 3/RPT

In modul radio apasati scurt tasta 3/RPT pentru a asculta canalul memorat.

Apasati lung pentru a memora un canal pe aceasta pozitie.

In modul DISC/USB/SD apasati scurt tasta 3/RPT pentru a repeta fisierul curent.

11. 4/RDM

In modul radio apasati scurt tasta 4/RDM pentru a asculta canalul memorat.

Apasati lung pentru a memora un canal pe aceasta pozitie.

In modul DISC/USB/SD apasati scurt tasta 4/RDM pentru a reda fisierele in mod aleator.

12. 5/-10

In modul radio apasati scurt tasta 5/-10 pentru a asculta canalul memorat.

Apasati lung pentru a memora un canal pe aceasta pozitie.

In modul DISC/USB/SD apasati scurt tasta 5/-10 pentru a sari inapoi peste 10 fisiere.

13. 6/+10

In modul radio apasati scurt tasta 6/+10 pentru a asculta canalul memorat.

Apasati lung pentru a memora un canal pe aceasta pozitie.

In modul DISC/USB/SD apasati scurt tasta 6/+10 pentru a sari inainte peste 10 fisiere.

14. MUTE

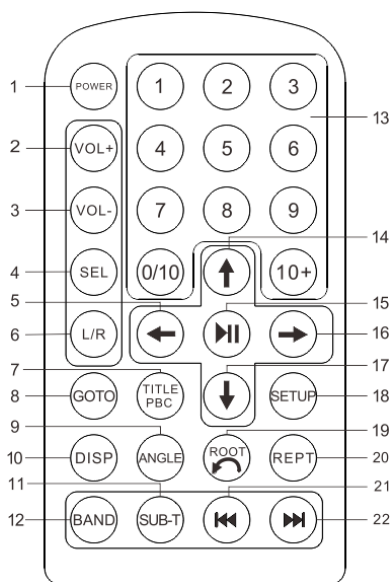
Apasati scurt tasta MUTE pentru a opri sunetul. Apasati inca o data pentru a reporni.

15. EQ

Apasati tasta EQ pentru a alege modul de egalizare al sunetului.

Sunt disponibile presetarile CLASSIC, ROCK, POP, FLAT, DSP OFF.

Prezentare telecomanda



1. POWER: Apasati scurt pentru a porni, apasati lung pentru a opri dispozitivul.

2. VOL+: apasati scurt pentru a creste volumul sau pentru reglarea ceasului.

3. VOL-: apasati scurt pentru a scadea volumul sau pentru reglarea ceasului.

4. SEL: pentru setare BAS, TRE, BAL, FAD, BEEP, EQ, LOUD, LOC si Stereo.

5. ← : apasati scurt pentru a naviga spre stanga.

6. L/R: apasati scurt pentru a selecta canalul de sunet, sau limba de redare.

7. TITLE/PBC: In modul DVD, apasati scurt pentru pentru a afisa titlul fisierului. In modul VCD, apasati scurt

pentru a afisa controalele de redare.

8. GOTO: apasati scurt GOTO pentru a selecta fisierul dorit.

9. ANGLE: apasati scurt pentru a schimba ungiul de vizualizare in modul DVD.

10. DISP: apasati scurt pentru a afisa ora, apasati lung pentru a seta ora.

11. SUB-T: apasati scurt pentru a selecta subtitrarea.

12. BAND: in modul radio, apasati scurt pentru a schimba banda FM.

13. Cifrele: apasati scurt cifrele pentru a reda canalul memorat corespunzator cifrei.

14. ↑ : apasati scurt pentru a naviga in sus.

15. ⏸ : confirma setarile.

16. → : apasati scurt pentru a naviga la dreapta.

17. ↓ : apasati scurt pentru a naviga in jos.

18. SETUP: apasati scurt pentru a modifica setarile sistemului.

19. ↶ : reveniti la meniul anterior.

20. REPT: apasati scurt pentru a repeta fisierul curent.

21. ⏮ : apasati scurt pentru a merge la fisierul anterior sau pentru a cauta automat canalul anterior. Apasati lung pentru a

pentru a derula rapid inapoi sau pentru cautarea manuala a canalului anterior.

22. ⏭ : apasati scurt pentru a merge la fisierul urmator sau pentru a cauta automat canalul urmator. Apasati lung pentru a

pentru a derula rapid inainte sau pentru

14 cautarea manuala a canalului urmator.

Funcție Bluetooth

1. Conectare prin Bluetooth

Când dispozitivul este pornit, funcția Bluetooth este activă și automat va începe căutarea sau împerecherea cu telefonul.

Dacă telefonul a mai fost conectat la dispozitiv, acestea se vor conecta automat dacă telefonul are activată funcția Bluetooth.

Dispozitivul se poate conecta doar la câte un telefon odată.

Deconectați telefonul curent pentru a conecta un altul.

2. Funcție Hands-free

Răspunde apel: când telefonul este apelat, soneria se va auzi și în difuzoarele mașinii. Apăsati tasta BND/AS de pe dispozitiv sau direct de pe telefon pentru a răspunde apelului.

Inchide apel: pentru a închide apelul, apăsați tasta PWR/MOD de pe dispozitiv sau închideți direct de pe telefon.

Volum apel: puteți ajusta volumul de pe telefon sau cu butonul de volum al dispozitivului.

3. Redare audio prin Bluetooth

Când telefonul este conectat la dispozitiv, apăsați tasta PWR/MOD pentru a comuta pe modul "Bluetooth music", apoi puteți reda fișiere audio direct de pe telefon prin Bluetooth.

Redare fișiere de pe unitate disc CD/DVD

Apăsati tasta PWR/MOD pentru a intra în modul DISC.

Se va continua redarea ultimului fișier ascultat.

Apăsati scurt tasta ▲ pentru a elimina discul.

Dispozitivul va comuta automat pe modul radio.

În timpul redării în modul DISC apăsați scurt tasta ►► pentru a trece la următorul fișier.

La apăsarea lungă a tastei ►►, dispozitivul va începe să deruleze înainte cu viteză 2x, apăsând încă o dată tasta ►►, viteză va crește la 4x și în continuare la 8x, 20x.

Apăsati tasta 1/►► pentru a reveni la redarea normală a fișierului.


Redare CD

În modul CD folosiți tastele ◀◀/►► pentru a schimba fișierele.

Apăsati tasta 10+ de pe telecomandă apoi tastati numărul de indicativ al fișierului pentru a sări direct la acesta.

Redare VCD

Redarea de pe discuri VCD este similara cu redarea de pe CD/MP3.

Pentru discuri VCD 2.0 este posibila si navigarea in meniului discului. Apasati scurt butonul de redare pentru fisiere. Apasati scurt butonul  pentru a reveni la meniu.

Redare DVD

Redarea de pe discuri DVD este similara cu redarea de pe VCD 2.0.

Daca discul suporta mai multe piste audio, apasati tasta L/R pentru a schimba pista.

Daca discul suporta selectarea subtitrarii, apasati tasta SUB-T pentru a schimba.

Daca discul suporta reglarea unghiului de vizualizare, apasati tasta ANGLE pentru a modifica acest parametru.

Pentru mai multe functii, apasati tasta SETUP.

Cand redati fisiere video sau audio, pictograma corespunzatoare tipului de fisier va fi afisata pe ecran.

Nota: Daca discul nu este compatibil sau nu poate fi citit de catre dispozitiv, playerul va comuta automat pe modul radio.

Redare fisiere multimedia

Daca pe suportul media exista fisiere audio, video si foto, apasati lung tasta BND/AS pentru a selecta tipul de fisier pe care doriti sa il redati.

Operare Radio

Dispozitivul poate memora pana la 18 canale FM (FM1, FM2, FM3, fiecare cate 6 canale).

Intervalul de frecventa incepe de la 87.5MHz pana la 108MHz, in trepte de 50KHz.



In modul radio apasati scurt tasta BND/AS pentru a comuta intre FM1, FM2 si FM3.

Memorare canale automat

In modul radio tineti apasat lung tasta BND/AS. Dispozitivul va incepe automat cautarea si memorarea canalelor pe fiecare buton de memorie.

Cautare canale

In modul radio, apasati scurt tastele  /  pentru a cauta automat canalele anterioare sau cele urmatoare.

Apasati lung tastele  /  pentru a cauta manual canalele anterioare sau pe cele urmatoare.

Memorare canale manual

Daca au fost gasite canale dupa cautarea manuala, tineti apasat lung unul din cele 6 butoane de memorie pentru a memora canalul respectiv.

Pentru a asculta un canal memorat, apasati scurt unul din butoanele de memorie.

Port AUX IN

Intrare auxiliara (AUX IN)

Apasati scurt butonul POW/MOD pentru a selecta sursa audio AUX.
Functia poate fi utilizata cu ajutorul unui cablu audio.

Specificatii

FM	
Domeniul de frecvente	87.5 MHz - 108 MHz
Sensibilitate utila	≤ 37 dBf
Raport semnal/zgomot	≥ 35 dB
Separare stereo	≥ 20 dB
Redare DISC	
Formate suportate	DVD/VCD/MP4/MP3/CD
Timp protectie de soc electronica	DVD: 4s / VCD: 10s
Frecventa raspuns	(100 Hz ~ 10 kHz) ± 8 dB
Raport semnal/zgomot	≥ 35 dB
Separare canale	≥ 25 dB
Distorsiune armonica la 1 kHz	≤ 5 %
Balans canal stereo	≤ 3 dB
Caracteristici generale	
Voltaj	DC 12 V
Putere maxima de iesire	45W x 4
Impedanta difuzoare	4 Ω ~ 8 Ω
Dimensiuni	178 x 50 x 162 mm

Instructiuni montaj

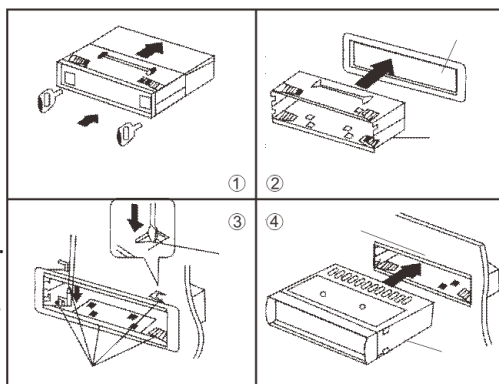
1. Cititi cu atentie inainte de montaj.
2. Dispozitivul trebuie montat de catre personal calificat.
3. Dupa conectarea celorlalte componente(difuzoare, antena radio, etc), conectati firele de alimentare.
4. Firele expuse trebuie izolate.
5. Inainte de a monta dispozitivul, ascundeti firele cu atentie.
6. Dispozitivul se alimenteaza doar de la curent continuu cu o tensiune de 10V~15V.
7. Conectati firele conform schemei de montaj.
In caz contrar exista riscul de a avaria sistemul electric.

1. Chei de demontare.

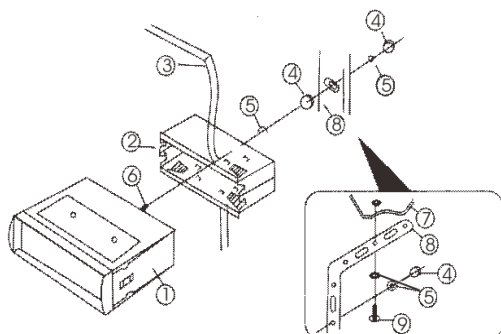
2. Introduceti rama de montare in spatiul 1DIN din bord.

3. Curbati clemele pentru a fixa rama in bord.

4. Introduceti unitatea prin rama de montare dupa ce ati conectat firele conform schemei.

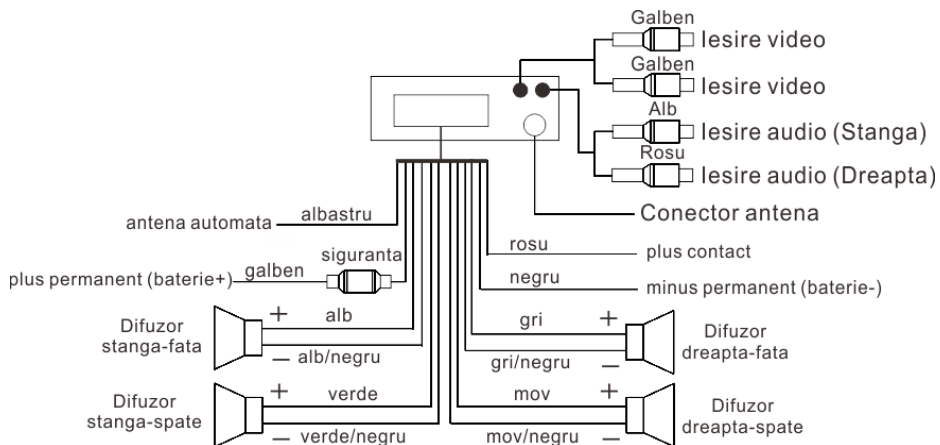


Schema de instalare



1. Unitatea principala
2. Rama de montaj
3. Cabluri conexiune
4. Piulita
5. Srapnel
6. Surub hexagonal HM5x15
7. Brida
8. Cadru metal
9. Suruburi autofilentate BA5x15

Schema conectori



Probleme si solutii

Problema	Motiv	Solutie
Dispozitivul nu porneste	<ol style="list-style-type: none"> Alimentarea nu este conectata corespunzator. Siguranta este arsa sau nu sunt conectate firele de alimentare. 	<p>Conectati corespunzator alimentarea.</p> <p>Verificati siguranta sau firele de alimentare.</p>
Ecranul LCD nu se aprinde	<ol style="list-style-type: none"> Firel galben nu este conectat la plus permanent. Siguranta este arsa sau firel galben este inerupt. 	<p>Verificati daca firel galben este conectat la plus permanent.</p> <p>Inlocuiti siguranta.</p>
Nu se aude	<ol style="list-style-type: none"> Nu este alimentat. Nu sunt conectate firele difuzoarelor. Nu sunt fisiere audio pe cardul SD/MMC sau pe USB. Cardul SD/MMC sau memoria USB nu este conectata corespunzator. 	<p>Inlocuiti cablul de alimentare.</p> <p>Verificati firele difuzoarelor.</p> <p>Verificati cardul de memorie SD/MMC sau memoria USB.</p>
Se aude incet sau neclar	<ol style="list-style-type: none"> Curent alimentare insuficient. Antena nu este conectata corespunzator. 	<p>Inlocuiti bateria masinii.</p> <p>Verificati conexiunea antenei.</p>
Sunetul este mono	<ol style="list-style-type: none"> Nu este conectat unul din difuzoare. Circuitul amplificatorului este defect. 	<p>Verificati si conectati firel difuzorului</p> <p>Se inlocuieste circuitul.</p>

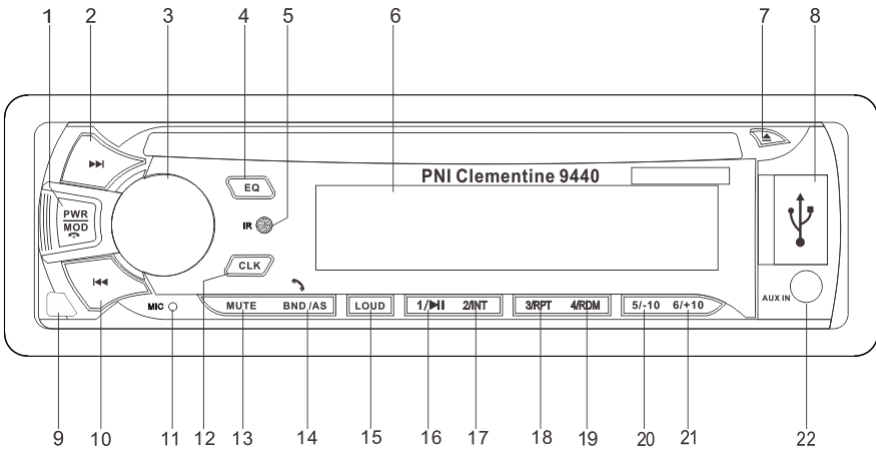
Note: Datele tehnice pot fi modificate ulterior fara o anuntare in prealabil.



PNI Clementine 9440

Handbuch

Frontabschnitt



- | | | |
|-------------------------------------|--|--------------------|
| 1. Einschalten/Modus /Anruf beenden | 8. Port USB | 15. LOUD |
| 2. Next/Nächste | 9. Demontage Frontabschnitt | 16. 1/Next |
| 3. Lautstärke | 10. Previous/Vorige | 17. 2/Intro |
| 4. EQ (Ausgleicher) | 11. Mikrofon | 18. 3/Wiederholung |
| 5. Sensor Fernbedienung | 12. Uhr | 19. 4/Aleatorisch |
| 6. Bildschirm LCD | 13. Mute | 20. 5/-10s |
| 7. Eject/Auswurf | 14. Frequenz FM/AS
(Anruf entgegennehmen) | 21. 6/+10s |
| | | 22. Eingang AUX |

Grundfunktionen

1. Einschalten/Ausschalten/Modus

Drücken Sie kurz die Taste PWR/MOD, um das Gerät einzuschalten. Halten Sie gedrückt um das Gerät auszuschalten

Wenn das Gerät eingeschaltet ist, drücken Sie kurz die Taste PWR/MOD um die Wiedergabe-Quelle zu wählen:

RADIO → DISC → USB → SD → AUX → BT


Hinweis: die Wiedergabe-Quellen DISC/USB/SD sind verfügbar, nur wenn ein entsprechender Datenträger eingelegt ist.

2. Frequenz wechseln/automatische Speicherung (BND/AS)

In Modus Radio, drücken Sie kurz die Taste BND/AS, um die Radiofrequenz zu wechseln. Drücken Sie lang die Taste BND/AS, um die Sender automatisch zu speichern. Das Gerät sucht automatisch die Sender und wird sie auf die Tasten von 1 bis 6 speichern. Danach gibt das Gerät jeden gespeicherten Sender für 5 Sekunden wieder. Drücken Sie kurz die Taste BND/AS, um den gewünschten Sender zu wählen.

3. Next/Nächste

In Modus Radio, drücken Sie kurz ►► um automatisch die nächsten Sender zu suchen, drücken Sie lang, um die nächsten Sender manuell zu suchen.

In Modus DISC/USB/SD, drücken Sie kurz ►► und gehen Sie zur nächsten Datei. Drücken Sie lang um vorzuspringen.

4. Previous /Vorige

In Modus Radio, drücken Sie kurz ◀◀ um ◀◀ automatisch die vorherige Sender zu suchen, drücken Sie lang um die Sender manuell zu suchen. In Modus DISC/USB/SD drücken Sie kurz ≤ und gehen Sie zur vorherigen Datei, drücken Sie lang um zurückzuspringen.

5. Lautstärke

1. Drehen Sie den Lautstärke-Knopf nach rechts um die Lautstärke zu erhöhen und nach links um die Lautstärke zu senken.
 2. Drücken Sie kurz auf den Lautstärke-Knopf und kommen Sie ins Einstellungs Menü: BAS, TRE, BAL, FAD, LOUD, DSP, VOL.
 3. Drücken Sie kurz den Lautstärke-Knopf, es wird „BAS 00“ angezeigt, dann drehen Sie den Lautstärke-Knopf nach rechts, um die Bass zu erhöhen und nach links um den Bass zu senken. Das Anpassungsintervall ist von „BAS-07“ bis „BAS+07“.
 4. Drücken Sie noch einmal kurz, es wird „TRE 00“ angezeigt, dann drehen Sie den Lautstärke-Knopf nach rechts um die Höhen zu erhöhen oder nach links um die Höhen zu senken. Das Anpassungsintervall ist von „TRE-07“ bis „TRE+07“.
 5. Drücken Sie noch einmal kurz, es wird „BAL 00“ angezeigt, dann drehen Sie den Lautstärke-Knopf nach rechts um die Lautstärke der linken Lautsprecher zu senken oder nach links um die Lautstärke der rechten Lautsprecher zu senken. Das Anpassungsintervall ist von „L10“ bis „R10“.
 6. Drücken Sie noch einmal kurz, es wird „FAD 00“ angezeigt, dann drehen Sie den Lautstärke-Knopf nach rechts um die Lautstärke der hinteren Lautsprecher zu senken oder nach links um die Lautstärke der vorderen Lautsprecher zu senken. Das Anpassungsintervall ist von „F10“ bis „R10“.
- Drücken Sie kurz noch einmal, es wird „LOUD OFF“ angezeigt, dann drehen Sie den Lautstärke-Knopf um „LOUD ON“ zu wählen.
- Drücken Sie kurz noch einmal, es wird „DSP OFF“ angezeigt, dann drehen Sie den Lautstärke-

Knopf um den Ausgleicher-Modus zu wählen: CLASS, ROCK, POP, FLAT, DSP, OFF.

In Modus Radio, drücken Sie noch einmal, es wird „DX“ angezeigt, dann drehen Sie den

Lautstärke-Knopf um LOCAL zu wählen („LOC“).

Drücken Sie kurz noch einmal, es wird „STEREO“ angezeigt, dann drehen Sie den Lautstärke-Knopf um „MONO“ zu wählen

6. Drücken Sie kurz die Taste **RESET** um das Gerät neu einzuschalten.

7. Die Uhrzeit einstellen

Drücken Sie kurz die Taste CLK, die Uhrzeit wird angezeigt, drücken Sie lang die Taste CLK, auf dem Bildschirm blinkt die Uhrzeit, dann drehen Sie den Lautstärke-Knopf um die Uhrzeit einzustellen. Drücken Sie kurz die Taste CLK um die Minuten einzustellen.

Drehen Sie den Lautstärke-Knopf um anzupassen. Drücken Sie noch einmal kurz die Taste CLK.

8. 1/▶||

In Modus Radio drücken Sie kurz die 1/▶|| um den gespeicherten Sender zu hören. Drücken Sie lang um einen Sender auf dieser Position zu speichern. In Modus DISC/USB/SD drücken Sie kurz die Taste 1/▶|| für Pause.

9. 2/INT

In Modus Radio drücken Sie kurz die Taste 2/INT um den gespeicherten Sender zu hören. Drücken Sie lang um einen Sender auf dieser Position zu speichern. In Modus DISC/USB/SD drücken Sie kurz die Taste 2/INT und das Gerät gibt 10 Sekunden von der Datei wieder.

10. 3/RPT

In Modus Radio drücken Sie kurz die Taste 3/RPT um den gespeicherten Sender zu hören. Drücken Sie lang um einen Sender auf dieser Position zu speichern.

In Modus DISC/USB/SD drücken Sie kurz 3/RPT um die laufende Datei zu wiederholen.

11. 4/RDM

In Modus Radio drücken Sie kurz die Taste 4/RDM um den gespeicherten Sender zu hören. Drücken Sie lang um einen Sender auf dieser Position zu speichern

In Modus DISC/USB/SD drücken Sie kurz 4/RDM um die Dateien aleatorisch zu wiedergeben.

12. 5/-10

In Modus Radio drücken Sie kurz die Taste 5/-10 um den gespeicherten Sender zu hören. Drücken Sie lang um einen Sender auf dieser Position zu speichern. In Modus DISC/USB/SD drücken Sie kurz 5/-10 um 10 vorherigen Dateien zu überspringen .

13. 6/+10

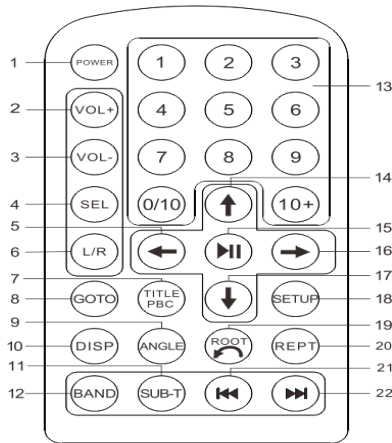
In Modus Radio drücken Sie kurz die Taste 6/+10 um den gespeicherten Sender zu hören. Drücken Sie lang um einen Sender auf dieser Position zu speichern. In Modus DISC/USB/SD drücken Sie kurz 6/+10 um 10 Dateien zu überspringen.

14. MUTE

Drücken Sie kurz die Taste MUTE, um den Ton zu stoppen. Drücken Sie noch einmal um neu einzuschalten.

15. EQ Drücken Sie EQ um den Ausgleich-Modus zu wählen: CLASSIC, ROCK, POP, FLAT, DSP OFF.

Fernbedienung



1. POWER: drücken Sie kurz um einzuschalten, drücken Sie lang um auszuschalten.

2. VOL+: drücken Sie kurz um die Lautstärke zu erhöhen oder um die Uhrzeit anzupassen.

3. VOL-: drücken Sie kurz um die Lautstärke zu senken oder um die Uhrzeit anzupassen.

4. SEL: für Einstellung BAS, TRE, BAL, FAD, BEEP, EQ, LOUD, LOC und Stereo.

5. ←: drücken Sie kurz um nach links zu surfen.

6. L/R: drücken Sie kurz um den Ton oder die Sprache zu wählen.

7. TITLE/PBC: In Modus DVD, drücken Sie kurz um den Dateititel anzuzeigen. In Modus VCD, drücken Sie kurz um die Wiedergabe-Kontrollen anzuzeigen.

8. GOTO: drücken Sie kurz GOTO um die gewünschte Datei zu wählen.

9. ANGLE: drücken Sie kurz um den Sichtwinkel in Modus DVD zu ändern.

10. DISP: drücken Sie kurz um die Uhrzeit anzuzeigen, drücken Sie lang um die Uhrzeit einzustellen.

11. SUB-T: drücken Sie kurz um den Untertitel zu wählen.

12. BAND: in Modus Radio, drücken Sie kurz um die Frequenz zu wechseln.

13. Zahlen: drücken Sie kurz die Zahlen um den entsprechenden Sender wiederzugeben, der unter der Zahl gespeichert wurde.

14. ↑: drücken Sie kurz um nach oben zu surfen.

15. ⏸: bestätigt die Einstellungen. Es gibt wieder und stoppt die Wiedergabe.

16. →: drücken Sie kurz um nach rechts zu surfen.

17. ↓: drücken Sie kurz um nach unten zu surfen.

18. SETUP: drücken Sie kurz um die Systemeinstellungen zu ändern.

19. ↶: zurück zum vorherigen Menü.

20. REPT: drücken Sie kurz um die laufende Datei zu wiederholen.

21. ⏮: drücken Sie kurz um zur vorherigen Datei zu gehen oder um automatisch den vorherigen Sender zu suchen. Drücken Sie lang um zurückzuspringen oder für eine manuelle Suche des vorherigen Senders.

22. ⏭: drücken Sie kurz um zur nächsten Datei zu gehen oder um automatisch den nächsten Sender zu suchen. Drücken Sie lang um vorzuspringen oder für eine manuelle Suche des nächsten Senders.

Funktion Bluetooth

1. Verbindung durch Bluetooth

Wenn das Gerät eingeschaltet ist, ist die Bluetooth Funktion aktiv, und sie sucht automatisch das Telefon oder das Pairing (Koppeln) mit dem Telefon. Wenn das Telefon vorher angeschlossen war, werden sie sich automatisch koppeln, wenn die Funktion Bluetooth im Telefon aktiviert ist.

Das Gerät kann sich nur an einem Telefon verbinden.

Unterbrechen Sie die Verbindung mit dem ersten Telefon und verbinden Sie mit dem 2. Telefon.

2. Funktion Hands-free

Anruf entgegennehmen: wenn Sie angerufen werden, klingelt das Telefon auch in den Lautsprechern des Autos. Drücken Sie die Taste BND/AS auf dem Gerät oder direkt am Telefon um den Anruf entgegenzunehmen.


Anruf beenden: um den Anruf zu beenden, drücken Sie die Taste PWR/MOD auf dem Gerät oder beenden Sie den Anruf direkt vom Telefon.

Anruf Lautstärke: Sie können die Lautstärke vom Telefon anpassen oder mit dem Lautstärke-Knopf vom Gerät.





3. Audio Wiedergabe durch Bluetooth

Wenn das Telefon am Gerät angeschlossen ist, drücken Sie die Taste PWR/MOD um auf den Modus „Bluetooth Music“ umzuschalten, Sie können Audio Dateien direkt auf dem Telefon durch Bluetooth hören.

Dateien wiedergeben von der Disk auf CD/DVD

Drücken Sie PWR/MOD um in Modus Disc zu kommen. Es wird die letzte gehörte Datei wiedergegeben. Drücken Sie kurz  um den Disc herauszuwerfen. Das

Gerät schaltet automatisch auf dem Modus Radio um.

Während der Wiedergabe in Modus DISC, drücken Sie  und gehen Sie zur nächsten Datei. Wenn Sie  lang drücken, funktioniert das Gerät mit der Geschwindigkeit 2x, wenn  noch einmal  drücken, steigt die Geschwindigkeit zu 4x und weiter zu 8x, 20x.

Drücken Sie 1/  für eine normale Dateiwiedergabe

Wiedergabe CD

In Modus CD benutzen Sie /  um die Dateien zu ändern.

Drücken Sie 10+ auf der Fernbedienung, dann wählen Sie die Dateizahl, um direkt hier zu überspringen.

Wiedergabe VCD

Wiedergabe von VCD Disc ist ähnlich mit der Wiedergabe von CD/MP3.

Für VCD 2.0 ist es möglich auch im Menü zu surfen. Drücken Sie kurz den Knopf für Wiedergabe der Dateien. Drücken Sie kurz den Knopf und gehen Sie zurück zum Menü.

Wiedergabe DVD

Die Wiedergabe von DVDs ist ähnlich mit der Wiedergabe von VCD 2.0.

Wenn der Disk mehrere Audio Tracks unterstützt, drücken Sie die Taste L/R um den Track zu ändern.

Wenn der Disk die Auswahl des Untertitels unterstützt, drücken Sie die Taste SUB-T um zu wechseln. Wenn der Disk die Anpassung des Sichtwinkels unterstützt, drücken Sie die Taste ANGLE, um diesen Parameter zu ändern.

Für andere Funktionen, drücken Sie die Taste SETUP.

Wenn Sie Video oder Audio Dateien wiedergeben, wird das Ikon des Dateientyps auf dem Bildschirm angezeigt.

Hinweis: wenn der Disc nicht kompatibel ist oder vom Gerät nicht gelesen werden kann, schaltet der Player automatisch auf den Modus Radio um.

Wiedergabe Multimedia Dateien

Wenn auf die Media-Träger Audio, Video und Foto Dateien existieren, drücken Sie lang die Taste BND/AS um den gewünschten Dateityp zu wählen.

Radio Betätigung

Das Gerät kann bis zu 18 FM Sendern speichern (FM1, FM2, FM3, jeder 6 Sender)

Das Frequenzintervall beginnt von 87.5 MHz bis 108MHz, in Schritten von 50 KHz.



In Modus Radio drücken Sie kurz die Taste BND/AS um zwischen FM1, FM2 und FM3 umzuschalten.

Automatisch Sender speichern

In Modus Radio drücken Sie lang die Taste BND/AS. Das Gerät sucht automatisch und speichert die Sender für jeden Knopf.

Sender suchen

In Modus Radio, drücken Sie kurz  /  um automatisch die vorherigen oder die nächsten Sender zu suchen.

Drücken Sie lang  /  um manuell die vorherigen oder die nächsten Sender zu suchen.

Sender manuell speichern

Wenn die Sender nach manueller Suche gefunden wurden, drücken Sie lang einen der 6 Knöpfe, um den entsprechenden Sender zu speichern. Um einen gespeicherten Sender zu hören, drücken Sie kurz einen der Knöpfe.

Port AUX IN

Nebeneingang (AUX IN)

Drücken Sie kurz POW/MOD um die Audio Quelle AUX zu wählen. Die Funktion kann mithilfe eines Audio-Kabels verwendet werden.

Spezifikationen

FM	
Frequenzbereich	87.5 MHz - 108 MHz
Nützliche Sensibilität	≤ 37 dBf
Bericht Signal/Lärm	≥ 35 dB
Stereo Trennung	≥ 20 dB
Wiedergabe CD	
Unterstützte Formate	DVD/VCD/MP4/MP3/CD
Schutzzeit elektrischer Schock	DVD: 4s / VCD: 10s
Frequenzantwort	(100 Hz ~ 10 kHz) ± 8 dB
Bericht Signal/Lärm	≥ 35 dB
Trennung Sender	≥ 25 dB
Harmonische Distorsion zu 1kHz	≤ 5 %
Gleichgewicht Stereo Sender	≤ 3 dB
Allgemeine Merkmale	
Spannung	DC 12 V
Höchste Ausgangsleistung	45W x 4
Impedanz Lautsprecher	4 Ω ~ 8 Ω
Dimensionen	178 x 50 x 162 mm

Montage Einweisungen

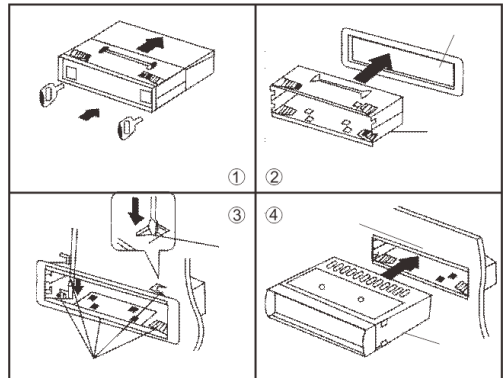
1. Lesen Sie die Anweisungen aufmerksam bevor Montage.
2. Das Gerät muss vom Fachpersonal eingebaut werden.
3. Nach Anschluss der anderen Komponenten (Lautsprecher, Radio Antenne, etc.), verbinden Sie die Versorgungsdrähte.
4. Die freien Drähte muss man isolieren.
5. Bevor Sie das Gerät einbauen, verstecken Sie die Drähte.
6. Das Gerät wird nur mit Gleichstrom mit einer Spannung von 10V~15V, versorgt.
7. Verbinden Sie die Drähte laut Einbau-Schemata. Im Gegenfalls gibt es das Risiko das elektrische System zu beschädigen.

1. Schlüssel für Demontage.

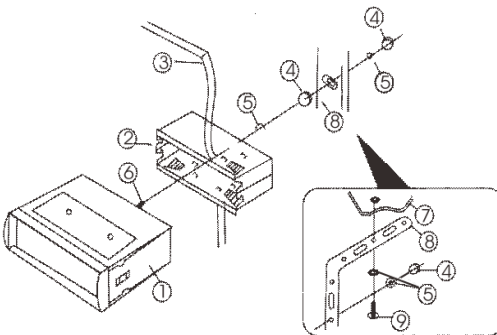
2. Legen Sie das Montage Rahmen im Bereich 1DIN am Bord, ein.

3. Biegen Sie die Klemmen, um das Rahmen am Bord zu befestigen.

4. Legen Sie die Einheit durch das Montage Rahmen ein, nachdem Sie die Drähte laut Schemata verbunden haben.



Einbau Schemata



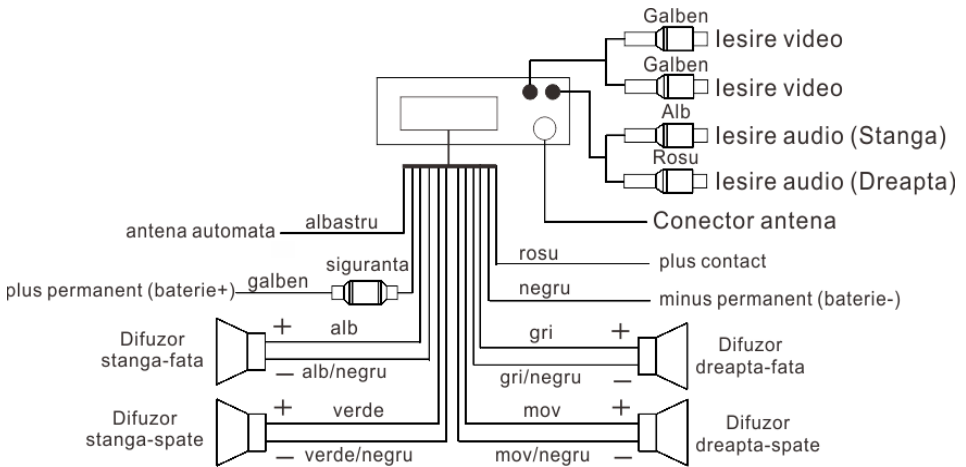
1. Haupteinheit
2. Montage Rahmen
3. Anschluss Kabeln
4. Mutter
- 5 Rändelmutter
6. Schraube hexagonal HM5x15
7. Schelle
8. Metallisches Rahmen
9. Schrauben BA5x15

Schemata Konnektoren

Galben – gelb
 lesire video – Video Ausgang
 Stanga – links
 Dreapta – rechts
 Mov-lila
 Verde-grün
 Albastru-blau
 Antena automata – automatische Antenne
 Siguranta – Sicherung

Conector antena – Konnektor Antenne
 plus contact – plus Kontakt
 minus permanent – minus permanent (Batterie -) negru - schwarz
 Difuzor dreapta-spate- Lautsprecher rechts-hinten
 rosu - rot
 minus permanent (Batterie -) negru - schwarz
 Difuzor dreapta fata – Lautsprecher rechts-vorne gri- grau

Difuzor dreapta-spate- Lautsprecher rechts-hinten
 rosu - rot
 minus permanent (Batterie -) negru - schwarz
 Difuzor dreapta fata – Lautsprecher rechts-vorne gri- grau



Probleme und Lösungen

Problem	Grund	Lösung
Das Gerät schaltet nicht ein	<ol style="list-style-type: none"> 1. Die Versorgung wurde nicht richtig angeschlossen. 2. Die Sicherung ist verbrannt oder die Versorgungsdrähte sind nicht angeschlossen. 	<p>Verbinden Sie entsprechend.</p> <p>Prüfen Sie die Sicherung oder die Versorgungsdrähte.</p>
Der LCD Bildschirm schaltet nicht ein.	<ol style="list-style-type: none"> 1. Der gelbe Draht ist nicht bei plus permanent angeschlossen. 2. Die Sicherung ist verbrannt oder der gelbe Draht ist unterbrochen. 	<p>Prüfen Sie ob der gelbe Draht mit plus permanent verbunden ist.</p> <p>Ersetzen Sie die Sicherung.</p>
Man hört nichts.	<ol style="list-style-type: none"> 1. Es gibt keine Versorgung. 2. Die Drähte der 	<p>Ersetzen Sie den Versorgungskabel.</p>

Schemata Konnektoren

	<p>Lautsprecher sind nicht verbunden.</p> <ol style="list-style-type: none"> 3. Es gibt keine Audio Dateien auf der Karte SD/MMC oder auf der USB. 4. Die SD/MMC Karte oder der USB Speicherraum ist nicht entsprechend verbunden. 	<p>Prüfen Sie die Drähte der Lautsprecher. Prüfen Sie die Karte SD/MMC oder der USB Speicher.</p>
<p>Man hört leise oder unklar</p>	<ol style="list-style-type: none"> 1. Strom für die Versorgung nicht ausreichend. 2. Die Antenne ist nicht richtig verbunden. 	<p>Ersetzen Sie die Batterie. Prüfen Sie den Anschluss der Antenne</p>
<p>Der laut ist Mono.</p>	<ol style="list-style-type: none"> 1. Ein Lautsprecher ist nicht verbunden. 2. Der Kreis des Verstärkers ist defekt. 	<p>Prüfen Sie und verbinden Sie den Draht des Lautsprechers. Der Kreis wird ersetzt.</p>

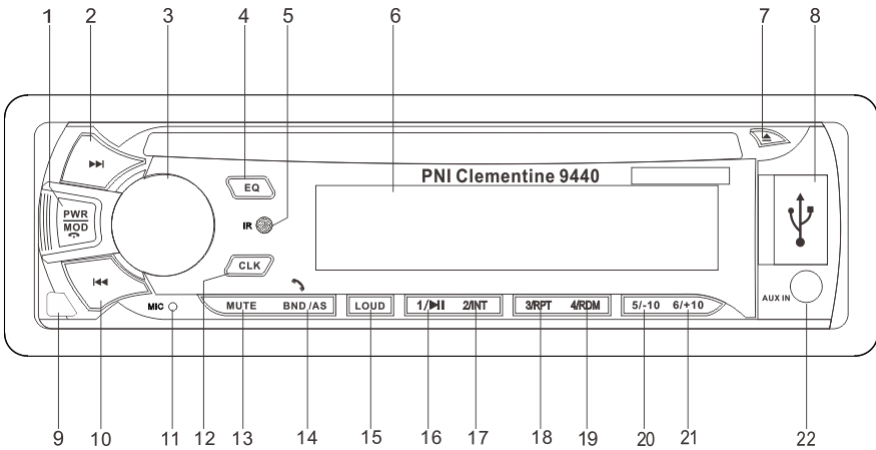
Hinweis: die technischen Daten können ohne eine vorherige Mitteilung geändert werden.



PNI Clementine 9440

Manual de usuario

Panel frontal



- | | | |
|-----------------------------|--|-----------------|
| 1. Encender / Modo (apagar) | 8. Puerto USB | 15. LOUD |
| 2. Next (Siguiete) | 9. Liberación panel frontal | 16. 1/II |
| 3. Volumen | 10. Previous (Previo) | 17. 2/Intro |
| 4. EQ (Ecuador) | 11. Micrófono | 18. 3/Repeticón |
| 5. Sensor de control remoto | 12. Reloj | 19. 4/Aleatorio |
| 6. Pantalla LCD | 13. Mute (sin sonido) | 20. 5/-10s |
| 7. Eject (sacar) | 14. Banda FM/AS
(Contestar Llamada) | 21. 6/+10s |
| | | 22. Entrada AUX |

Operaciones básicas

1. Encender/Apagar/Modo

Toque brevemente el botón PWR/MOD para encender el dispositivo. Mantenga tocado para apagarlo.

Cuando está encendido, toque brevemente el botón PWR/MOD para seleccionar la fuente de reproducción:



Nota: Las fuentes de reproducción DISC/USB/SD están disponibles solamente cuando está introducido un soporte media de este tipo.

2. Cambio de banda / Memorización automática (BND/AS)

En el modo de radio, toque brevemente el botón BND / AS para cambiar la banda de radio. Mantenga tocado el botón BND / AS para almacenar canales automáticamente. El dispositivo comenzará a buscar los canales y los almacenará en los botones numerados del 1 al 6. Después de almacenar los canales encontrados, el dispositivo reproducirá cada uno de los canales almacenados durante 5 segundos. Toque brevemente el botón BND / AS para seleccionar el canal deseado.

3. Next (siguiente)

En el modo de radio, toque **▶▶** brevemente la tecla **▶▶** para buscar automáticamente los siguientes canales. Mantenga tocado para buscar manualmente los siguientes canales.

En el modo DISC/USB/SD, toque **▶▶** brevemente la tecla **▶▶** para ir al siguiente archivo, mantenga tocado para desplazarse hacia adelante.

4. Previous (previo)

En el modo de radio, **◀◀** toque brevemente la tecla **◀◀** para buscar automáticamente los canales previos, mantenga tocado para buscar los canales anteriores manualmente.

En el modo DISC/USB/SD toque **◀◀** brevemente la tecla **◀◀** para ir al archivo previo, Mantenga tocado para desplazarse hacia atrás.

5. Volumen

1) Gire el botón de volumen a la derecha para aumentar el volumen y a la izquierda para a reducirlo.

2) Toque brevemente el botón de volumen para entrar en el menú de configuraciones, como: BAS, TRE, BAL, FAD, LOUD, DSP, VOL.

3) Toque el botón de volumen brevemente, se mostrará "BAS 00", luego gire el botón hacia la derecha para aumentar o hacia la izquierda para bajar el nivel de graves.

El intervalo de ajuste es de "BAS-07" a "BAS + 07".

Toque brevemente de nuevo, se mostrará "TRE 00", y luego gire el botón de volumen hacia la derecha para aumentar o hacia la izquierda para disminuir el nivel de treble.

El intervalo de ajuste es de "TRE-07" a "TRE+07".

Toque brevemente de nuevo, se mostrará "BAL 00", luego gire el botón de volumen hacia la derecha para disminuir el volumen de los altavoces a la izquierda o hacia la izquierda para disminuir el volumen de los altavoces a la derecha.

El intervalo de ajuste es de "L10" a "R10".

Toque brevemente de nuevo, se mostrará "FAD 00", luego gire el botón de volumen hacia la derecha para disminuir el volumen de los altavoces traseros o hacia la izquierda para disminuir el volumen de los altavoces frontales.

El intervalo de ajuste es de "F10" a "R10".

Toque brevemente de nuevo, se mostrará "LOUD OFF", luego gire el botón de volumen para seleccionar "LOUD ON".

Toque brevemente de nuevo, se mostrará "DSP OFF", luego gire el botón de volumen para seleccionar el modo de igualación: CLASS, ROCK, POP, FLAT, DSP OFF.

En el modo de radio, toque brevemente de nuevo, se mostrará "DX", luego gire el botón de volumen para seleccionar LOCAL ("LOC").

Toque brevemente de nuevo, se mostrará "STEREO", luego gire el botón de volumen para seleccionar "MONO".

6. Toque brevemente el botón **RESET (reinicio)** para reiniciar el dispositivo

7. Ajuste del reloj

Toque brevemente la tecla CLK, se mostrará la hora. Toque y mantenga tocada la tecla CLK, los dígitos de la hora se mostrarán en la pantalla de modo pulsante, luego gire el botón de volumen para configurar la hora.

Toque la tecla CLK brevemente para configurar el minuto. Gire el botón de volumen para ajustar. Toque CLK brevemente de nuevo.

8. 1/⏸

En el modo de radio toque  brevemente la tecla 1/ para escuchar el canal almacenado. Mantenga tocado para memorizar un canal en esta posición. En el modo DISC / USB / SD, toque brevemente la tecla 1/ para pausar.

9. 2/INT

En el modo de radio, toque brevemente la tecla 2 / INT para escuchar el canal almacenado. Mantenga tocado para almacenar un canal en esta posición.

En el modo DISC / USB / SD, toque brevemente la tecla 2 / INT y el dispositivo reproducirá 10 segundos de cada archivo.

10. 3/RPT

En el modo de radio, toque brevemente la tecla 3 / RPT para escuchar el canal almacenado. Mantenga tocado para guardar un canal en esta posición.

En el modo DISC / USB / SD, toque brevemente la tecla 3 / RPT para repetir el archivo actual.

11. 4/RDM

En el modo de radio, toque brevemente la tecla 4 / RDM para escuchar el canal almacenado. Mantenga tocado para almacenar un canal en esta posición.

En el modo DISC / USB / SD, toque brevemente la tecla 4 / RDM para reproducir los archivos aleatoriamente.

12. 5/-10

En el modo de radio toque brevemente la tecla 5/-10 para escuchar el canal almacenado. Mantenga tocado para almacenar un canal en esta posición. En el modo DISC/USB/SD toque brevemente la tecla 5/-10 para saltar más de 10 archivos atrás.

13. 6/+10

En el modo de radio toque brevemente la tecla 6/+10 para escuchar el canal almacenado. Mantenga tocado para almacenar un canal en esta posición. En el modo DISC/USB/SD toque brevemente la tecla 6/+10 para saltar más de 10 archivos delante.

14. MUTE (sin sonido)

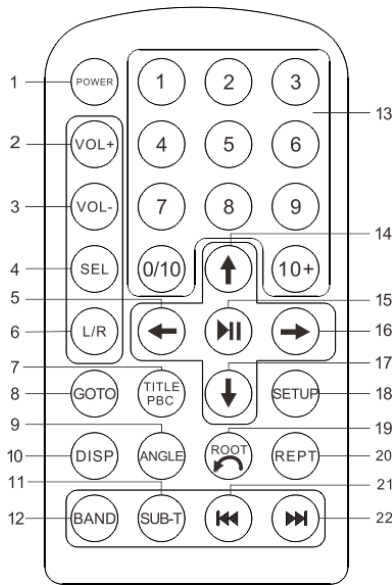
Toque brevemente la tecla MUTE para detener el sonido. Toque nuevamente para reiniciar.

15. EQ

Toque la tecla EQ para elegir el modo de igualación del sonido.

Hay disponibles las preconfiguraciones CLASSIC, ROCK, POP, FLAT, DSP OFF.

Descripción del control remoto



1. POWER(encender): Toque brevemente para encender, mantenga tocado para apagar el dispositivo.
2. VOL+: toque brevemente para aumentar el volumen o para ajustar el reloj.
3. VOL-: toque brevemente para reducir el volumen o para ajustar el reloj.
4. SEL: para seleccionar BAS, TRE, BAL, FAD, BEEP, EQ, LOUD, LOC y Stereo.
5. ←: toque brevemente para navegar hacia la izquierda.
6. L/R: toque brevemente para seleccionar el canal de sonido, o el idioma de reproducción.
7. TITLE/PBC: En el modo de DVD, toque brevemente para visualizar el título del archivo. En el modo de VCD, toque brevemente para visualizar los controles de reproducción
8. GOTO: toque brevemente GOTO para seleccionar el archivo deseado.
9. ANGLE: toque brevemente para cambiar el ángulo de visualización en el modo de DVD.
10. DISP: toque brevemente para visualizar la hora, mantenga tocado para configurar la hora.
11. SUB-T: mantenga tocado para

- seleccionar el subtítulo.
12. BAND: en el modo de radio, toque brevemente para cambiar la banda FM.
13. Los dígitos: toque brevemente los dígitos para reproducir el canal memorizado correspondiente al dígito.
14. ↑: toque brevemente para navegar arriba.
15. ▶: confirmar las configuraciones. Reproduce y detiene la reproducción.
16. →: toque brevemente para navegar a la derecha
17. ↓: toque brevemente para navegar hacia abajo.
18. SETUP: toque brevemente para cambiar las configuraciones del sistema.
19. ↶: vuelva al menú anterior.
20. REPT: toque brevemente para repetir el archivo corriente.
21. ⏪: Toque brevemente para ir al archivo anterior o para buscar automáticamente el canal anterior. Mantenga tocado para desplazarse rápidamente hacia atrás o para la búsqueda manual del canal anterior.
22. ⏩: toque brevemente para ir al siguiente archivo o para buscar automáticamente el siguiente canal. Mantenga tocado para avanzar rápidamente o buscar manualmente el siguiente canal.

Función Bluetooth

1. Conexión a través de Bluetooth

Cuando el dispositivo está encendido, la función Bluetooth está activa y automáticamente comenzará a buscar o a emparejarse con el teléfono.

Si el teléfono ya se ha conectado al dispositivo, se conectarán automáticamente si el teléfono tiene la función Bluetooth activada.

El dispositivo solo se puede conectar a un teléfono a la vez. Desconecte el teléfono actual para conectar otro.

2. Función Hands-free

Contestar llamada: cuando el teléfono está sonando, el tono de llamada también se escuchará en los altavoces del automóvil. Toque la tecla BND / AS en el dispositivo o directamente en el teléfono para responder la llamada.

Cerrar llamada: para finalizar la llamada, toque la tecla PWR / MOD en el dispositivo o cierre directamente en el teléfono.

Volumen de llamadas: puede ajustar el volumen en el teléfono o con el botón de volumen en el dispositivo.

3. Reproducción de audio a través de Bluetooth

Cuando el teléfono está conectado al dispositivo, toque la tecla PWR / MOD para cambiar al modo "Bluetooth music", luego puede reproducir archivos de audio directamente desde el teléfono a través de Bluetooth.

Reproducción de archivos de la unidad disco CD/DVD

Toque la tecla PWR/MOD para entrar en el modo DISC.

El último archivo reproducido continuará reproduciéndose. ▲

Toque brevemente la tecla para eliminar el disco.

El dispositivo cambia ►► automáticamente al modo de radio. Durante ►► la reproducción en el modo de DISC toque brevemente la tecla para ir al siguiente archivo. Al mantener tocada la tecla , el dispositivo empezará desplazarse hacia adelante con la velocidad de 2x, tocando de nuevo la tecla , la velocidad crecerá a 4x y a continuación a 8x, 20x.

Toque la tecla 1/ ►► para volver a la reproducción normal de archivos.

Reproducción de CD

En el modo de CD use las ◀◀ ►► teclas para cambiar a los archivos.

Toque la tecla 10+ en el control remoto, luego marque el número indicativo del archivo para ir directamente a este.

Reproducción de VCD

La reproducción de discos VCD es similar a la reproducción de CD / MP3.

Para discos VCD 2.0 es posible navegar al menú del disco. Toque brevemente el botón de reproducción para archivos. Toque brevemente el botón para volver al menú.

Reproducción de DVD

La reproducción de DVD es similar a la reproducción de VCD 2.0.

Si el disco admite varias pistas de audio, toque la tecla L / R para cambiar la pista.

Si el disco admite la selección de subtítulos, toque la tecla SUB-T para cambiar.

Si el disco admite el ajuste del ángulo de visión, toque la tecla ANGLE para cambiar este parámetro.

Para más funciones, toque la tecla SETUP.

Al reproducir archivos de video o audio, el icono correspondiente al tipo de archivo se mostrará en la pantalla.

Nota: Si el disco no es compatible o el dispositivo no puede leerlo, el reproductor cambiará automáticamente al modo de radio.

Reproducción de archivos multimedia

Si en el soporte media hay archivos de audio, video y foto, mantenga tocada la tecla BND/AS para seleccionar el tipo de archivo que desea reproducir.

Operación Radio



El dispositivo puede almacenar hasta 18 canales de FM (FM1, FM2, FM3, cada uno 6 canales). El rango de frecuencia comienza desde 87.5MHz a 108MHz, en pasos de 50KHz.



En el modo de radio, toque brevemente la tecla BND / AS para cambiar entre FM1, FM2 y FM3.

Memorizar canales automáticamente

En el modo de radio, toque y mantenga tocada la tecla BND / AS. El dispositivo comenzará automáticamente a buscar y memorizar canales en cada botón de memoria.

Buscar canales

En el modo de radio, toque   brevemente las teclas para buscar automáticamente los canales previos o siguientes.

Mantenga tocadas   las teclas para buscar manualmente los canales previos o siguientes.

Memorizar canales manualmente

Si se han encontrado canales después de la búsqueda manual, mantenga tocado uno de los 6 botones de memoria para almacenar ese canal.

Para escuchar un canal memorizado, toque brevemente uno de los botones de memoria.

Puerto AUX IN

Entrada auxiliar (AUX IN)

Toque brevemente el botón POW/MOD para seleccionar la fuente de audio AUX. La función se puede usar con la ayuda de un cable de audio.

Especificaciones

FM	
Dominio de frecuencias	87.5 MHz - 108 MHz
Sensibilidad útil	≤ 37 dBf
Informe semanal/ruido	≥ 35 dB
Separación estéreo	≥ 20 dB
Reproducción DISC	
Formatos soportados	DVD/VCD/MP4/MP3/CD
Tiempo de protección de choque electrónico	DVD: 4s / VCD: 10s
Frecuencia respuesta	(100 Hz ~ 10 kHz) ± 8 dB
Informe semanal/ruido	≥ 35 dB
Separación canales	≥ 25 dB
Distorsión armónica a 1 kHz	≤ 5 %
Balance de canales estereo	≤ 3 dB
Características generales	
Voltaje	DC 12 V
Máxima potencia de salida	45W x 4
Impedancia del altavoz	4 Ω ~ 8 Ω
Dimensiones	178 x 50 x 162 mm

Instrucciones de ajuste

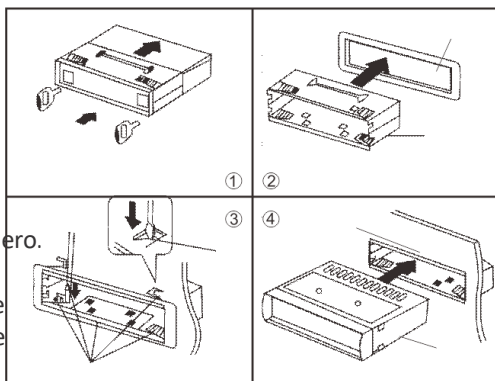
1. Lea atentamente antes de la instalación.
 2. El dispositivo debe ser instalado por personal calificado.
 3. Después de conectar los otros componentes (altavoces, antena de radio, etc.), conecte los cables de alimentación
 4. Los cables expuestos deben estar aislados.
 5. Antes de montar el dispositivo, esconde cuidadosamente los cables
 6. El dispositivo solo recibe alimentación de CC con un voltaje de 10V ~ 15V.
 7. Conecte los cables de acuerdo con el diagrama de montaje.
- De lo contrario, existe el riesgo de daños en el sistema eléctrico.

1. Llaves de desmontaje

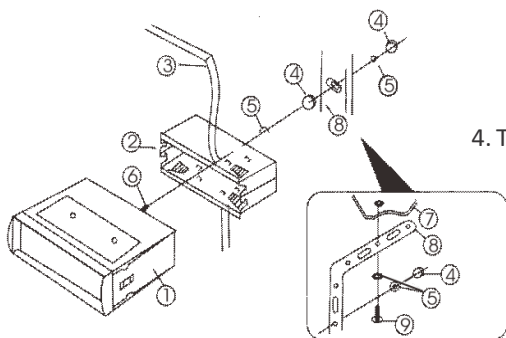
2. Inserte el marco de montaje en el espacio 1 DIN del tablero.

3. Doba los clips para asegurar el marco al tablero.

4. Inserte la unidad a través del marco de montaje después de conectar los cables de acuerdo con el diagrama.



Esquema de instalación

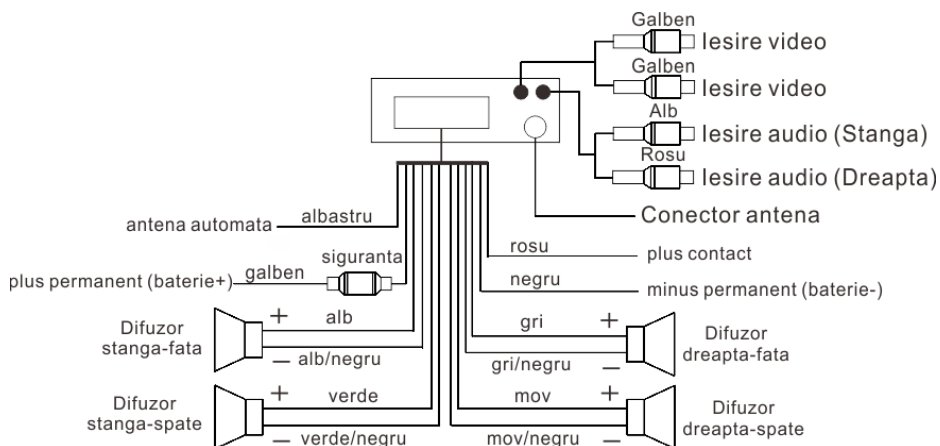


1. Unidad principal
2. Marco de montaje
3. Cables de conexión

4. Tuercas

5. Metralla
6. Tornillo hexagonal HM5x15
7. Brida
8. Marco de metal
9. Tornillos autoroscantes BA5x15

Esquema conectores



Galben-amarillo

Iesire video- salida de video

Alb- blanco

Roşu- rojo

Iesire video Stânga- salida de video izquierda

Iesire video Dreapta- salida de video derecha

Conector antenă- conector antena

Antenă automată- antena automática

Albastru-azul

Siguranță- fusible

Plus permanent (baterie +)- positivo permanente (batería +)

Plus contact- positivo contacto

Negru- negro

Difuzor stânga-față- altavoz izquierda frontal

Difuzor stanga spate- altavoz izquierda trasero

Verde- verde

Gri- gris

Mov- morado

Difuzor dreapta-față- altavoz derecha frontal

Difuzor dreapta-spate- altavoz derecha trasero

Problemas y soluciones

Problema	Causa	Solución
El dispositivo	1. La fuente de alimentación no está	Conecte la fuente de alimentación

Esquema conectores

no se enciende	conectada correctamente. 2. El fusible se quema o los cables no están conectados.	Verifique los cables de seguridad o de alimentación.
La pantalla LCD no se enciende	1. El cable amarillo no está conectado permanentemente a +. 2. El fusible está quemado o el cable amarillo está roto.	Compruebe si el cable amarillo es conectado permanentemente Reemplace la seguridad.
No se oye	1. No está alimentado. 2. Los cables del altavoz no están conectados. 3. No hay archivos de audio en la tarjeta SD / MMC o USB. 4. Tarjeta SD / MMC o memoria USB no está conectada correctamente	Reemplace el cable de alimentación. Verifique los cables del altavoz. Verifique la tarjeta de memoria SD / MMC o memoria USB.
Se oye despacio O poco claro	1. Insuficiente fuente de alimentación. 2. La antena no está conectada correctamente.	Reemplace la batería del automóvil. Verifique la conexión de la antena.
El sonido es mono	1. Uno de los altavoces no está conectado. 2. El circuito amplificador está defectuoso.	Verifique y conecte el cable del altavoz El circuito es reemplazado.

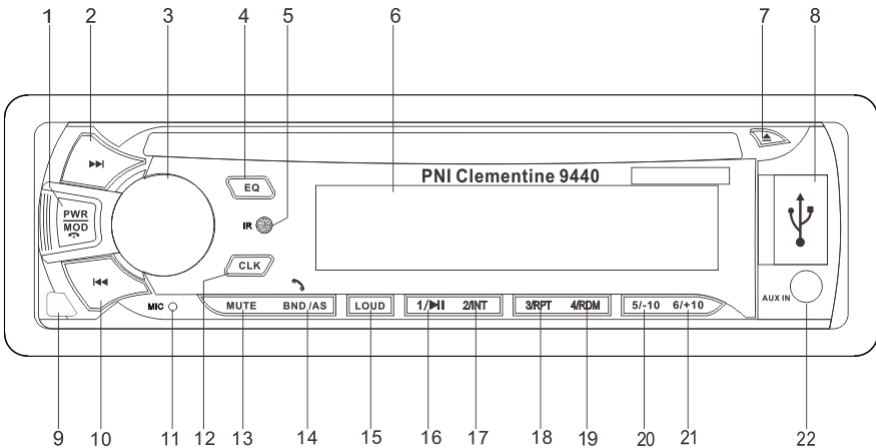
Notas: Los datos técnicos pueden modificarse en una fecha posterior sin previo aviso.



PNI Clementine 9440

Manuel d' utilisation

Le panneau frontal



1. Démarrage/Mode(arrêt appel)
2. Next (Le suivant)
3. Volume
4. EQ (Égalisateur)
5. Capteur télécommande
6. Écran LCD
7. Eject

8. Port USB
9. Relâcher le panneau frontal
10. Previous (Antérieur)
11. Microphone
12. Montre
13. Mute
14. Bande FM/AS
(prendre l' appel),₁₁

15. LOUD
16. 1/ ▶|
17. 2/Intro
18. 3/Répéter
19. 4/Aléatoire
20. 5/-10s
21. 6/+10s
22. Entrée AUX

1. Démarrage/Arrêt/Mode

Appuyez courtement sur le bouton PWR/MOD pour démarrer le dispositif. Tenez longuement appuyé pour arrêter le dispositif.

Lorsque le dispositif est démarré, appuyez courtement sur le bouton PWR/MOD pour sélectionner la source:

RADIO → DISC → USB → SD → AUX → BT

Le diagramme illustre la séquence de sélection des sources de reproduction : RADIO, DISC, USB, SD, AUX, BT. Des flèches horizontales pointent de gauche à droite entre chaque terme. Une flèche plus longue est tracée sous les termes DISC, USB, SD, AUX, BT, avec une tête qui pointe vers le haut et se termine au-dessus du terme RADIO, indiquant que ces sources sont disponibles uniquement si un support média compatible est inséré.

Observation: les sources de reproduction DISC/USB/SD sont disponibles, seulement si on a introduit un support média de ce type.

2. Changer la bande/Stockage automatique (BND/AS)

Dans le mode radio, appuyez courtement sur le bouton BND/AS pour changer la bande radio. Appuyez longuement sur le bouton BND/AS pour le stockage automatique des chaînes. Le dispositif va commencer de rechercher les chaînes, qui seront stockées avec les boutons numérotés de 1 à6. Après le stockage des chaînes trouvées, le dispositif va rendre chacune chaîne pendant 5 secondes. Appuyez courtement sur le bouton BND/AS pour sélectionner la chaîne désirée.

3. Next (Le suivant)

Dans le mode radio, appuyez ►► courtement sur la touche pour rechercher automatiquement les chaînes suivantes, appuyez longuement pour la recherche manuelle des chaînes suivantes.

Dans le mode DISC/USB/SD, appuyez ►► courtement sur la touche pour passer au fichier suivant, appuyez longuement pour dérouler avant.

4. Previous (l' antérieur)

Dans le mode radio, appuyez ◀◀ courtement sur la touche pour rechercher automatiquement les chaînes antérieures, appuyez longuement pour la recherche manuelle des chaînes antérieures.

Dans le mode DISC/USB/SD appuyez ◀◀ courtement sur la touche pour passer au fichier antérieur, appuyez longuement pour dérouler les fichiers antérieurs.

5. Volume

1) Tournez le bouton de volume à droite pour augmenter le volume et à gauche pour réduire le volume.

2) Appuyez courtement sur la petite roulette de volume pour entrer dans le menu des réglages, par exemple: BAS, TRE, BAL, FAD, LOUD, DSP, VOL.

3) Appuyez courtement sur le bouton de volume, le message "BAS 00" sera affiché, ensuite tournez à droite pour augmenter et à gauche pour réduire le niveau du bass.

L' intervalle d' ajustement est de "BAS-07" à "BAS+07".

Appuyez encore une fois courtement, le message "TRE 00" sera affiché, ensuite tournez à droite pour augmenter et à gauche pour réduire le niveau du treble.

L' intervalle d' ajustement est de "TRE-07" à "TRE+07".

Appuyez encore une fois courtement, le message "BAL 00" sera affiché, ensuite tournez à droite pour augmenter et à gauche pour réduire le niveau des diffuseurs.

L' intervalle d' ajustement est de "L10" à "R10".

Appuyez encore une fois courtement, le message "FAD 00" sera affiché, ensuite tournez le bouton de volume à droite pour réduire le volume des diffuseurs derrière et à gauche pour réduire le volume des diffuseurs avant.

L' intervalle d' ajustement est de "F10" à "R10".

Appuyez encore une fois courtement, le message "LOUD OFF" sera affiché, ensuite tournez le bouton de volume pour sélectionner "LOUD ON".

Appuyez encore une fois courtement, le message "DSP OFF" sera affiché, ensuite tournez le bouton de volume pour sélectionner le mode d'égalisation: CLASS, ROCK, POP, FLAT, DSP OFF.

Dans le mode radio, appuyez encore une fois courtement, le message DX sera affiché, ensuite tournez le bouton de volume pour sélectionner LOCAL ("LOC").

Appuyez encore une fois courtement, le message "STEREO" sera affiché, ensuite tournez le bouton de volume pour sélectionner "MONO".

6. Appuyez courtement sur le bouton **RESET** pour redémarrer le dispositif.

7. Régler la montre

Appuyez courtement sur la touche CLK, l'heure sera affichée. Appuyez longuement sur la touche CLK, sur l'écran seront affichées les chiffres de l'heure par les impulsions, ensuite tournez le bouton de volume pour régler l'heure.

Appuyez courtement sur la touche CLK pour régler la minute. Tournez le bouton de volume pour l'ajustement. Appuyez encore une fois courtement sur la touche CLK.

8. 1/▶||

Dans le mode radio appuyez **▶||** courtement sur la touche 1/ pour écouter la chaîne stockée. Appuyez longuement pour stocker une chaîne à cette position.

Dans le mode DISC/USB/SD appuyez courtement sur la touche 1/ pour mettre la pause.

9. 2/INT

Dans le mode radio appuyez **▶||** courtement sur la touche 2/INT pour écouter la chaîne stockée. Appuyez longuement pour stocker une chaîne à cette position.

Dans le mode DISC/USB/SD appuyez courtement sur la touche 2/INT et le dispositif rendra 10 secondes chaque fichier.

10. 3/RPT

Dans le mode radio appuyez **▶||** courtement sur la touche 3/RPT pour écouter la chaîne stockée. Appuyez longuement pour stocker une chaîne à cette position.

Dans le mode DISC/USB/SD appuyez courtement sur la touche 3/RPT pour répéter le fichier courant.

11. 4/RDM

Dans le mode radio appuyez **▶||** courtement sur la touche 4/RDM pour écouter la chaîne stockée. Appuyez longuement pour stocker une chaîne à cette position.


Dans le mode DISC/USB/SD appuyez courtement sur la touche 4/RDM pour rendre les fichiers aléatoirement.

12. 5/-10

Dans le mode radio appuyez **▶||** courtement sur la touche 5/-10 pour écouter la chaîne stockée. Appuyez longuement pour stocker une chaîne à cette position.

Dans le mode DISC/USB/SD appuyez courtement sur la touche 5/-10 pour dérouler les derniers 10 fichiers.

13. 6/+10

Dans le mode radio appuyez  courtement sur la touche 6/+10 pour écouter la chaîne stockée. Appuyez longuement pour stocker une chaîne à cette position.

Dans le mode DISC/USB/SD appuyez courtement sur la touche 6/+10 pour dérouler les 10 fichiers suivants.

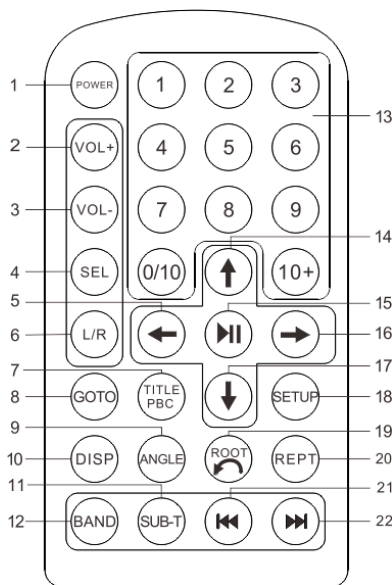
14. MUTE

Appuyez courtement sur la touche MUTE pour arrêter le son. Appuyez encore une fois pour redémarrer.

15. EQ

Appuyez sur la touche EQ pour choisir le mode d'égénéralisation du son. Les pré-régénéralages CLASSIC, ROCK, POP, FLAT, DSP OFF sont disponibles.

Description de la télécommande



1. POWER: Appuyez courtement pour démarrer, appuyez longuement pour arrêter le dispositif.

2. VOL+: Appuyez courtement pour augmenter le volume ou pour régler la montre.

3. VOL-: Appuyez courtement pour réduire le volume ou pour régler la montre.

4. SEL: pour les réglages suivants: BAS, TRE, BAL, FAD, BEEP, EQ, LOUD, LOC et Stereo.

5. ← : Appuyez courtement pour naviguer à gauche.

6. L/R: Appuyez courtement pour sélectionner la chaîne du son ou la langue.

7. TITLE/PBC: Dans le mode DVD, appuyez courtement pour afficher le titre du fichier. Dans le mode VCD, appuyez courtement pour afficher les contrôles de la reproduction.

8. GOTO: Appuyez courtement sur GOTO pour sélectionner le fichier désiré.

9. ANGLE: Appuyez courtement pour changer l'angle de visualisation dans le mode DVD.

10. DISP: Appuyez courtement pour afficher l'heure, appuyez longuement pour régler l'heure.

11. SUB-T: Appuyez courtement pour sélectionner le sous-titrage.

12. BAND: dans le mode radio, appuyez courtement pour changer la bande FM.

13. Cifrele: Appuyez courtement sur les chiffres pour rendre la chaîne stockée correspondante à la chiffre.

14. ↑ : Appuyez courtement pour naviguer vers haut.

15. ▶|◀ : pour confirmer les réglages.

Pour rendre et arrêter la reproduction.

16. → : Appuyez courtement pour naviguer à droite.

17. ↓ : Appuyez courtement pour naviguer vers bas.

18. SETUP: appuyez courtement pour changer les réglages du système.

19. ↶ : Revenez au menu antérieur.

20. REPT: appuyez courtement pour répéter le fichier courant.

21. ◀◀ : Appuyez courtement pour passer au fichier antérieur ou pour rechercher automatiquement la chaîne antérieure. Appuyez longuement pour dérouler rapidement les fichiers antérieurs ou pour rechercher manuellement les chaînes antérieures.

22. ▶▶ Appuyez courtement pour passer au fichier suivant ou pour rechercher automatiquement la chaîne suivante Appuyez longuement pour dérouler rapidement les fichiers suivants ou pour rechercher manuellement les chaînes suivantes.

Bluetooth

1. Connexion par Bluetooth

Lorsque le dispositif est démarré, la fonction Bluetooth est active et elle va commencer automatiquement la recherche ou l'accouplement avec le téléphone. Si le téléphone a été déjà connecté au dispositif, celui-ci sera automatiquement connecté, si la fonction Bluetooth du téléphone a été activée. Le dispositif peut être connecté à un seul téléphone. Vous devez déconnecter le téléphone courant pour connecter un autre.

2. La fonction Hands-free

Prendre l'appel: lorsque vous êtes appelé, vous allez entendre la sonnerie dans les diffuseurs de la voiture. Appuyez sur la touche BND/AS du dispositif ou directement du téléphone pour prendre l'appel.

Fermer l'appel: pour fermer l'appel, appuyez sur la touche PWR/MOD du dispositif ou directement du téléphone.

Volume de l'appel: vous pouvez ajuster le volume du téléphone ou avec le bouton de volume du dispositif.

3. Reproduction audio par Bluetooth

Lorsque le téléphone est connecté au dispositif, appuyez sur la touche PWR/MOD pour commuter au mode "Bluetooth music", ensuite vous pouvez rendre les fichiers audio directement du téléphone par Bluetooth.

Reproduction des fichiers de l'unité disque CD/DVD

Appuyez sur la touche PWR/MOD pour entrer dans le mode DISC. Le dernier fichier écouté sera rendu encore. Appuyez ▲ courtement sur la touche pour éliminer le disque. Le dispositif sera automatiquement commuté au mode radio.

Pendant la reproduction dans le mode DISC ►► appuyez courtement sur la touche ►► pour passer au ►► fichier suivant. Si vous appuyez longuement sur la touche, le dispositif va ►► commencer de dérouler avant avec la vitesse 2x, en appuyant encore une fois sur la touche, la vitesse sera augmentée à 4x et ensuite à 8x, 20x.

Appuyez sur la ►► touche 1/ ►► pour revenir à la reproduction normale du fichier.

Reproduction par CD

Dans le mode CD utilisez les ◀◀ ►► touches / ►► pour changer les fichiers.

Appuyez sur la touche 10+ de la télécommande, ensuite tapez le numéro de l'indicatif du fichier pour passer directement à celui-ci.

Port AUX IN

Reproduction par VCD

La reproduction des disques VCD est similaire à la reproduction du CD/MP3.

Pour les disques VCD 2.0 vous pouvez également naviguer dans le menu du disque. Appuyez courtement sur le bouton de reproduction pour les fichiers. Appuyez courtement sur le bouton pour revenir au menu.

Reproduction par DVD

La reproduction des disques DVD est similaire à la reproduction du VCD 2.0.

Si le disque supporte plusieurs pistes audio, appuyez longuement sur la touche L/R pour changer la piste.

Si le disque supporte la sélection du sous-titrage, appuyez sur la touche SUB-T pour changer.

Si le disque supporte le réglage de l'angle de visualisation, appuyez sur la touche ANGLE pour modifier ce paramètre.

Pour plusieurs fonctions appuyez sur la touche SETUP.

Lorsque vous rendez les fichiers vidéo ou audio, le pictogramme correspondant au type du fichier sera affiché sur l'écran.

Observation: Si le disque n'est pas compatible ou il ne peut pas être lu par le dispositif, le lecteur va automatiquement commuter au mode radio.

Si dans le support média il y a des fichiers audio, vidéo et photo, appuyez longuement sur la touche BND/AS pour choisir le type du fichier que vous voulez rendre.

Le dispositif peut stocker maximum 18 chaînes FM (FM1, FM2, FM3, 6 chaque chaîne). L'intervalle de fréquence commence à 87.5MHz jusqu'à 108MHz, dans les phases de 50KHz.



Dans le mode radio appuyez courtement sur la touche BND/AS pour commuter entre FM1, FM2 et FM3.

Stockage automatique des chaînes

Dans le mode radio tenez appuyé longuement sur la touche BND/AS. Le dispositif va automatiquement commencer la recherche et le stockage des chaînes pour chaque bouton.

Rechercher les chaînes

Dans le mode radio, appuyez   courtement sur les touches / pour rechercher automatiquement les chaînes antérieures ou les suivantes.

Appuyez   longuement sur les touches / pour rechercher manuellement les chaînes antérieures ou les suivantes.

Stockage manuel des chaînes

Si on a trouvé des chaînes par la recherche manuelle, tenez longuement appuyé un des 6

Port AUX IN

boutons de stockage en vue de stocker la chaîne en question.

Pour écouter une chaîne stockée, appuyez courtement sur un des boutons pour le stockage.

Entrée auxiliaire (AUX IN)

Appuyez courtement sur le bouton POW/MOD pour sélectionner la source audio AUX. La fonction peut être utilisée à l'aide d'un câble audio.

Spécifications

FM	
Domaine des fréquences	87.5 MHz - 108 MHz
Sensibilité utile	≤ 37 dBf
Rapport signal/bruit	≥ 35 dB
Séparation stéréo	≥ 20 dB
Reproduction DISQUE	
Formats supportés	DVD/VCD/MP4/MP3/CD
Temps protection choc électronique	DVD: 4s / VCD: 10s
Fréquence de la réponse	(100 Hz ~ 10 kHz) ± 8 dB
Rapport signal/bruit	≥ 35 dB
Séparation stéréo	≥ 25 dB
Distorsion harmonique à 1 kHz	≤ 5 %
Equilibre chaîne stéréo	≤ 3 dB
Caractéristiques générales	
Voltage	DC 12 V
Puissance maximale de sortie	45W x 4
Impédance des diffuseurs	4 Ω ~ 8 Ω
Dimensions	178 x 50 x 162 mm

tre

Instructions pour le montage

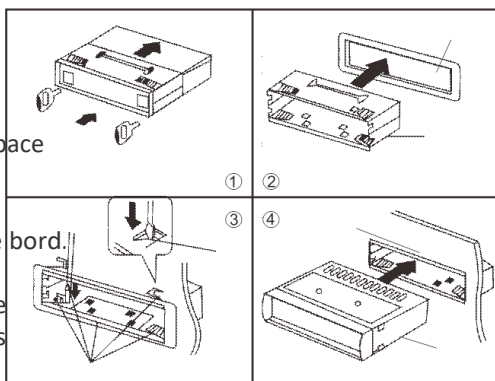
1. Lisez les instructions avec attention avant le montage.
2. Le dispositif doit être installé par le personnel autorisé.
3. Après la connexion des autres composants (les diffuseurs, l'antenne radio, etc), connectez les fils d'alimentation.
4. Les fils exposés doivent être isolés.
5. Avant le montage du dispositif, il faut cacher les fils avec attention.
6. Le dispositif peut être chargé seulement du courant continu avec la tension de 10V~15V.
7. Connectez les fils conformément au schéma de montage.
Autrement il y a le risque d'endommager le système électrique.

1. Les clés pour le démontage.

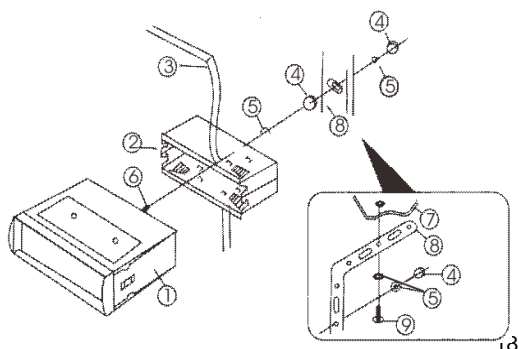
2. Introduisez le cadre de montage dans l'espace 1DIN du bord.

3. Pliez les attaches pour fixer le cadre dans le bord.

4. Introduisez l'unité par le cadre de montage après avoir connecté les fils conformément au schéma.

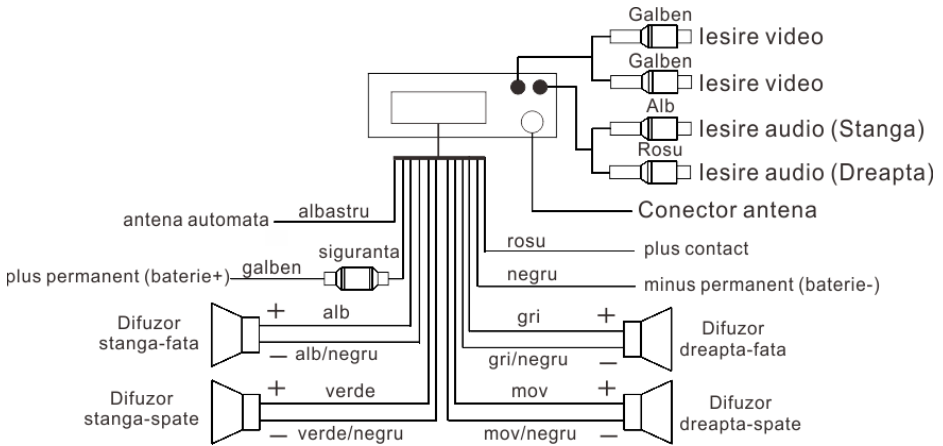


Le schéma d'installation



1. Unité principale
2. Cadre de montage
3. Câbles de connexion
4. Écrou
5. Éclet
6. Vis hexagonal HM5x15
7. Étrier
8. Cadre métallique
9. Vis auto-filetatés BA5x15

Schéma des connecteurs



Jaune
Sortie vidéo
Sortie vidéo

Sortie audio (à gauche)
Sortie audio (à droite)
Connecteur antenne
Antenne automatique
Plus permanent (batterie)

Diffuseur à gauche-avant
Diffuseur à gauche-derrière

bleu	rouge		
jaune	fusible	rouge	plus contact
	noir		minus permanent (batterie-)
blanc		gris	Diffuseur à droite-avant
blanc/noir		gris/noir	
vert		mauve	Diffuseur à droite- derrière
vert/noir		mauve/noir	

Problèmes et solutions

Problème	Raison	Solution
Le dispositif ne démarre pas	<ol style="list-style-type: none"> 1. L'alimentation n'a pas été correctement connectée. 2. Le fusible est brulé ou les fils d'alimentation ne sont pas connectés. 	<p>Connectez correctement l'alimentation.</p> <p>Vérifiez les fusibles ou les fils d'alimentation.</p>
L'écran LCD ne s'allume pas	<ol style="list-style-type: none"> 1. Le fil jaune n'est pas connecté au plus permanent. 2. Le fusible est brulé ou le fil jaune est interrompu. 	<p>Vérifiez si le fil jaune est connecté au plus permanent.</p> <p>Remplacez le fusible.</p>
On n'entends pas	<ol style="list-style-type: none"> 1. Pas d'alimentation. 2. Les fils des diffuseurs ne sont pas connectés. 3. Il n'y a pas des fichiers audio sur la carte SD/MMC ou sur USB. 4. La carte SD/MMC ou la mémoire USB n'est pas correctement connectée. 	<p>Remplacez le câble d'alimentation. Vérifiez les fils des diffuseurs.</p> <p>Vérifiez la carte de mémoire SD/MMC ou la mémoire USB.</p>
On entend doucement ou pas clairement	<ol style="list-style-type: none"> 1. Courant insuffisant pour l'alimentation. 2. L'antenne n'est pas correctement connectée.. 	<p>Remplacez la batterie de la voiture. Vérifiez la connexion de l'antenne</p>
Le son est mono	<ol style="list-style-type: none"> 1. Un des diffuseurs n'est pas connecté. 2. Le circuit de l'amplificateur est endommagé. 	<p>Vérifiez et connectez le fil du diffuseur</p> <p>Il faut remplacer le circuit.</p>

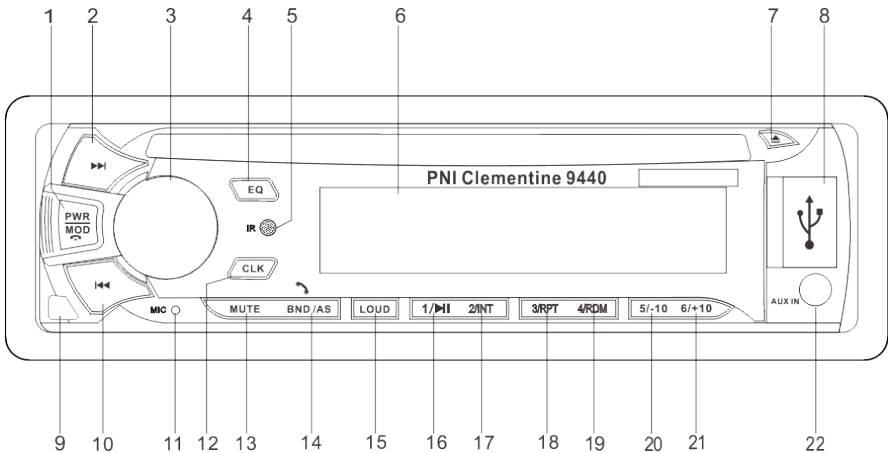
Observation: Les données techniques peuvent être ultérieurement modifiées sans préavis.



PNI Clementine 9440

Felhasználói kézikönyv

Kezelőpanel



1. Elindítás/ Mod
(hívásleállítás)
2. Next (Következő)
3. Hangerő
4. EQ (Szintező)
5. Távirányító érzékelő
6. LCD kijelző
7. Ejekt

8. USB rész
9. Elülső panel kioldása
10. Previous (Előző)
11. Mikrofon
12. Óra
13. Némítás
14. FM sáv/AS
(Hívás fogadása)

15. LOUD
16. 1/▶
17. 2/Intro
18. 3/Ismétlés
19. 4/Véletlenszerű
20. 5/-10s
21. 6/+10s
22. AUX bemenet

Alapműveletek

1. Elindítás/ Leállítás/ Mod

Nyomják meg röviden PWR/MOD gombot, hogy elindítsák a készüléket.

Nyomják meg hosszasan a leállításhoz.

Amikor el van indítva, nyomják meg PWR/MOD lejátszási forrás kiválasztásához:

RADIO → DISC → USB → SD → AUX → BT



Megjegyzés: A DISC / USB / SD lejátszási források csak akkor érhetőek el, ha az ilyen típusú hordozó be van helyezve.

2. A sáv módosítása / Automatikus tárolás (BND/AS)

Rádió módban, nyomja meg röviden BND/AS a rádiósáv megváltoztatásához.

Nyomja meg hosszasan BND/AS automatikus csatornák tárolásához. A készülék elkezdi a csatornák keresését és le fogja őket menteni a számozott 1-6 gombokkal.

Miután tárolja a talált csatornákat, az eszköz minden tárolt csatornát 5 másodpercig lejátszik.

Nyomják meg röviden BND/AS, hogy kiválassza a kívánt csatornát.

4. Previous (előző)

Rádió módban, nyomja meg röviden ⏪ hogy automatikusan keresse az előző csatornákat, nyomja meg hosszasan manuális kereséshez.

DISC/USB/SD módban nyomja meg röviden ⏪ hogy a következő fájlra lépjen, nyomja meg hosszasan a vissza görgetéshez.

5. Hangerő

1) Forgassa jobbra a hangerőszabályzó gombot a hangerő növeléséhez, és balra a hangerő csökkentéséhez.

2) Nyomja meg röviden a hangerőszabályzó gombot a beállítások menübe való belépéshez, mint: BAS, TRE, BAL, FAD, LOUD, DSP, VOL.

3) Nyomja meg röviden a hangerő gombot, a "BAS 00" felirat jelenik meg, majd jobbra forgassa a hang növeléséhez vagy balra, hogy csökkentse a basszus szintjét.

Beállítási intervallum "BAS-07"-től "BAS+07"-ig.

Nyomják meg újból röviden, "TRE 00" jelenik meg, majd jobbra vagy balra forgassa a hangerőszabályzó gombot a hangerő csökkentéséhez vagy növeléséhez.

Beállítási intervallum "TRE-07"-től "TRE+07"-ig.

Nyomják meg újból röviden, "BAL 00" jelenik meg, majd jobbra forgassa a hang növeléséhez vagy balra, hogy csökkentse a hangszórók erejét.

Beállítási intervallum "L10"-től "R10"-ig.

Nyomják meg újból röviden, "FAD 00" jelenik meg, majd jobbra forgassa a hangerőszabályzó gombot a hátsó vagy a bal oldali hangszóró hangerejének csökkentéséhez az első hangszórók hangerejének csökkentéséhez.

Beállítási intervallum "F10"-től "R10"-ig.

Nyomják meg újból röviden , "LOUD OFF" jelenik meg , majd forgassa el a hangerőszabályzó gombot a "LOUD ON" kiválasztásához.

Nyomják meg újból röviden, "DSP OFF" jelenik majd forgassa el a hangerőszabályzó gombot, hogy kiválassza a szintező módot: CLASS, ROCK, POP, FLAT, DSP OFF.

Rádió módban, nyomják meg újból röviden "DX" jelenik meg, majd forgassa el a hangerőszabályzó gombot, hogy kiválassza LOCAL ("LOC").

Nyomják meg újból röviden "STEREO" jelenik meg, majd forgassa el a hangerőszabályzó gombot, hogy kiválassza "MONO".

6. Nyomja meg röviden **RESET** gombot, hogy újból elindítsa a készüléket.

7. Óra beállítása

Nyomja meg röviden a CLK gombot , megjelenik az óra. Nyomja meg hosszasan CLK gombot, a kijelzőn megjelenek az órák számai majd forgassa el a hangerő gombot az órabeállításához

Nyomja meg röviden CLK, hogy beállítsa a percet. Forgassa el a hangerő gombot, hogy lementse. Nyomja meg röviden újból a CLK gombot.

8. 1/▶▶

Rádió módban nyomja meg röviden 1/▶▶, hogy hallgassa a lementett csatornát.

Nyomja meg hosszasan, hogy tárolja a csatornát ebben a helyzetben DISC/USB/SD módban nyomja meg röviden 1/▶▶ a szüneteltetéshez.

9. 2/INT

Rádió módban nyomja meg röviden 2/INT hogy hallgassa a lementett csatornát.

Nyomja meg hosszasan, hogy tárolja a csatornát ebben a helyzetben.

DISC/USB/SD módban nyomja meg röviden 2/INT és az eszköz minden egyes fájl 10 másodpercét lejátssza.

10. 3/RPT

Rádió módban nyomja meg röviden 3/RPT , hogy hallgassa a lementett csatornát.

Nyomja meg hosszasan, hogy tárolja a csatornát ebben a helyzetben.

DISC/USB/SD nyomja meg röviden 3/RPT, hogy megismételje a jelenlegi fájlt.

11. 4/RDM

Rádió módban nyomja meg röviden 4/RDM hogy hallgassa a lementett csatornát.

Nyomja meg hosszasan, hogy tárolja a csatornát ebben a helyzetben.

DISC/USB/SD módban nyomja meg röviden 4/RDM a fájlok véletlenszerű lejátszásához.

12. 5/-10

Rádió módban nyomja meg röviden 5/-10 hogy hallgassa a lementett csatornát.

Nyomja meg hosszasan, hogy tárolja a csatornát ebben a helyzetben.

DISC/USB/SD módban nyomja meg röviden 5/-10, hogy átugorjon hátra 10 fájl.

13. 6/+10

Rádió módban nyomja meg röviden 6/+10 hogy hallgassa a lementett csatornát.

Nyomja meg hosszasan, hogy tárolja a csatornát ebben a helyzetben.

DISC/USB/SD módban nyomja meg röviden 6/+10 hogy átugorjon előre 10 fájl.

14. MUTE

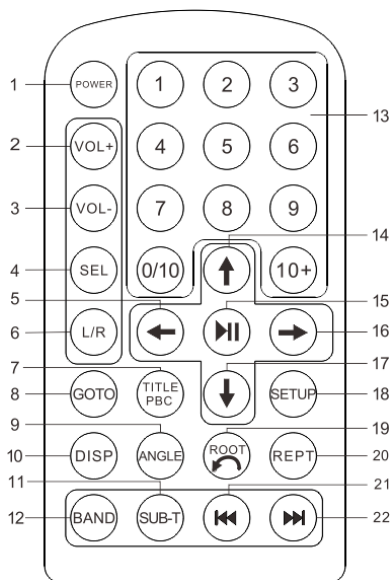
Nyomja meg röviden a MUTE gombot, hogy elnémítsa a hangot. Nyomja meg újra a gombot újraindításához.

15. EQ

Nyomja meg a EQ gombot, hogy kiválassza a szintező mód hangot.

A következő elérhetőek CLASSIC, ROCK, POP, FLAT, DSP OFF.

Távírányító leírása



1. POWER: Nyomja meg röviden az elindításhoz, hosszasan pedig a lezáráshoz.

2. VOL+: nyomja meg röviden a hangerő növeléséhez vagy az óra beállításához.

3. VOL-:nyomja meg röviden a gombot a hangerő csökkentéséhez vagy az óra beállításához.

4. SEL: BAS, TRE, BAL,FAD, BEEP, EQ, LOUD, LOC és Sztereo beállítás.

5. ← : röviden nyomja meg a balra navigáláshoz

6. L/R: röviden nyomja meg a hangcsatorna vagy a lejátszási nyelv kiválasztásához.

7. TITLE/PBC: DVD módban, hogy megjelenítse a fájl címét. VCD módban nyomja meg röviden a lejátszás vezérlőinek a megjelenítéséhez

8. GOTO: nyomja meg röviden GOTO, hogy kiválassza a kívánt fájlt

9. ANGLE: nyomja meg röviden a DVD-mód megtekintési szögének megváltoztatásához.

10. DISP: nyomja meg röviden az idő megjelenítéséhez, nyomja meg és tartsa lenyomva az idő beállításához.

11. SUB-T: röviden nyomja meg a felirat kiválasztásához.

12. BAND: rádió módban, nyomja meg röviden az FM sáv megváltoztatásához.

13. Számok: röviden nyomja meg a számjegyeket a számjegyhez tárolt csatornát játszsa le.

14. ↑ :nyomja meg röviden a felfelé navigáláshoz

15. ⏸ : megerősíti a beállításokat Elindítja és megállítja a lejátszást.

16. → : nyomja meg röviden a jobb felé navigáláshoz

17. ↓ : nyomja meg röviden a lefelé navigáláshoz

18. SETUP: nyomja meg röviden, hogy új megváltoztassa a rendszerbeállításokat

19. ↶ : térjen vissza az előző menühöz.

20. REPT: nyomja meg röviden az az aktuális fájl ismétléséhez.

21. ⏮ : nyomja meg röviden, hogy az előző fájlhoz lépjen vagy automatikusan keresse az előző csatornát. Hosszan nyomja meg a gyors hátra görgetéshez vagy az előző csatornák manuális kereséséhez

22. ⏭ : nyomja meg röviden, hogy a következő fájlhoz lépjen vagy automatikusan keresse a következő csatornát. Hosszan nyomja meg a gyors előre görgetéshez vagy akövetkező csatornák manuális kereséséhez.

Bluetooth funkció

1. Csatlakozás Bluetooth-on keresztül

Az eszköz bekapcsolásakor a Bluetooth funkció aktív, és automatikusan elindul keresés vagy párosítás a telefonnal.

Ha a telefon csatlakoztatva van a készülékhez, akkor automatikusan csatlakozik ha a telefon Bluetooth-kapcsolattal rendelkezik.

A készülék egyszerre csak egy telefonhoz csatlakoztatható.
Húzza ki az aktuális telefont a másikhoz való csatlakoztatáshoz.

2. Hands-free csatlakozás

Hívásfogadás: amikor tárcsázik, a csengetés hallható az autó hangszórókon is hallható. Nyomja meg a BND / AS gombot a készüléken vagy közvetlenül a telefonján, a telefonhívás fogadásához

Beszélgetés befejezése: hogy befejezze a beszélgetést, nyomja meg PWR/MOD a készülékről vagy zárja le közvetlenül a telefonról.

Hívás hangereje: beállíthatja a hangerőt telefonról vagy a készülék hangerő gombjától.

3. Audio lejátszás Bluetooth-on keresztül

Amikor a telefon a készülékhez van csatlakoztatva, nyomja meg a PWR / MOD gombot a "Bluetooth music" módba való váltáshoz, majd hangfájlokat közvetlenül a telefonról Bluetooth-on keresztül is lejátszhat.

Lemez lejátszási mód

Nyomja meg PWR/MOD, hogy DISC módba lépjen.

Az utolsó lejátszott fájl lejátszásra kerül.

Nyomja meg röviden ▲ hogy eltávolítsa a lemezt.

A készülék automatikusan rádió módba lép.

Lejátszás DISC üzemmódban, röviden nyomja meg a ►► gombot a fájlkezelőre lépéshez.

Megnyomva hosszasan ►►, a készülék elindul előrefelé 2x sebességgel, mégegyszer megnyomva ezt a gombot ►►, a sebesség 4x-re, majd 8x-re, 20-szorra nő.

Nyomja meg 1/►| gombot, hogy visszatérjen a normál fájl lejátszáshoz.


CD lejátszás

CD módban használja a ◀◀ / ►► gombokat, hogy a fájlok váltakozásához.

Nyomja meg 10+ gombot a távirányítóról majd írja be a fájl fájlszámát, hogy közvetlenül rácsatlakozzon.

VCD lejátszás

A VCD-k lejátszása hasonló a CD / MP3 lejátszáshoz.

VCD 2.0 lemezek esetén a lemezmenübe is navigálhat. Nyomja meg röviden a fájl lejátszási gombot. Nyomja meg röviden , hogy visszalépjen a menübe.

DVD lejátszás

A DVD-n lejátszott lejátszás hasonló a VCD 2.0 lejátszásához.

Ha a lemez több hangsvótot támogat, a műsorszám megváltoztatásához nyomja meg az L / R gombot.

Ha a lemez támogatja a felirat kiválasztását, nyomja meg a SUB-T gombot a változtatáshoz.

Ha a lemez támogatja a szögbeállítást, nyomja meg az ANGLE gombot módosítsa ezt a paramétert.

Több beállításhoz nyomja meg a SETUP gombot.

Videó vagy hangfájlok lejátszásakor a fájl típusának megfelelő ikon lesz megjelenítve a képernyőn.

Megjegyzés: Ha a lemez nem kompatibilis vagy nem olvasható az eszközön, ez automatikus rádió módba lép.

Multimédiás fájlok lejátszása

Ha a hang, videó és fényképfájlok vannak a médián, nyomja meg hosszasan BND/AS gombot, hogy kiválassza a lejátszani kívánt fájl típust.

Rádió üzemmód

A készülék 18 FM csatornát tárolhat (FM1, FM2, FM3, mindegyik 6 csatornával).

Frekvencia intervallum 87.5MHz-től 108MHz-ig, 50 kHz lépésekben.



Rádió üzemmódban nyomja meg röviden BND/AS az FM1, az FM2 és az FM3 közötti váltáshoz.

Automatikus csatornák tárolása

Rádió üzemmódban nyomja meg hosszasan BND/AS gombot. A készülék automatikusan elindítja a csatornák keresését és tárolását minden egyes memória gombon.

Csatornakeresés

Rádió üzemmódban nyomja meg röviden  /  az előző vagy a következő csatorna automatikus kereséséhez.

Nyomja meg hosszasan  /  az előző vagy a következő csatorna manuális kereséséhez.

Manuális csatorna tárolása

Ha manuális keresés után csatornákat találtak, tartsa a 6 tárolási gomb valamelyike közül a csatorna tárolására.

Mentett csatorna meghallgatásához röviden nyomja meg a memória gomb egyikét.

AUX IN rész

Kisegítő bemenet (AUX IN)

Nyomja meg röviden a POW / MOD gombot az AUX audio forrás kiválasztásához.
A funkció audiokábellel használható.

Műszaki adatok

FM	
Frekvenciatartomány	87.5 MHz - 108 MHz
Hasznos érzékenység	≤ 37 dBf
Jel/zaj jelentés	≥ 35 dB
Sztereó elválasztás	≥ 20 dB
DISC lejátszás	
Támogatott formátumok	DVD/VCD/MP4/MP3/CD
Elektronikus ütésvédelmi idő	DVD: 4s / VCD: 10s
Frekvenciaválasz	(100 Hz ~ 10 kHz) ± 8 dB
Jel/zaj jelentés	≥ 35 dB
Csatorna-elválasztás	≥ 25 dB
Harmonikus torzítás 1 kHz	≤ 5 %
Sztereó csatorna egyensúly	≤ 3 dB
Általános tulajdonságok	
Feszültség	DC 12 V
Max. teljesítményi kimenet	45W x 4
Hangszóró impedancia	4 Ω ~ 8 Ω
Méretek	178 x 50 x 162 mm

Szerelési útmutató

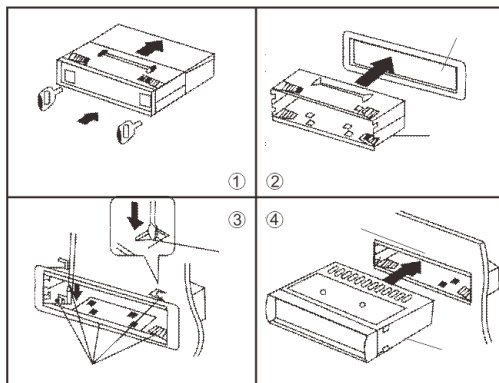
1. Olvassa el figyelmesen a szerelés előtt.
2. A készüléket egy szakosított személy kell felszerelje.
3. Miután csatlakoztatta a többi komponenst (hangszórók, rádióantenna stb.), csatlakoztassa a tápvezetéket.
4. A szálakat szigetelni kell.
5. A készülék telepítése előtt gondosan rejtse el a vezetékeket.
6. A készülék csak folyamatos áramforrással táplálódik 10V ~ 15V feszültséggel.
7. Csatlakoztassa a vezetékeket a bekötési rajz szerint.
Ellenkező esetben fennáll az elektromos rendszer károsodásának veszélye.

1. Eltávolító kulcsok.

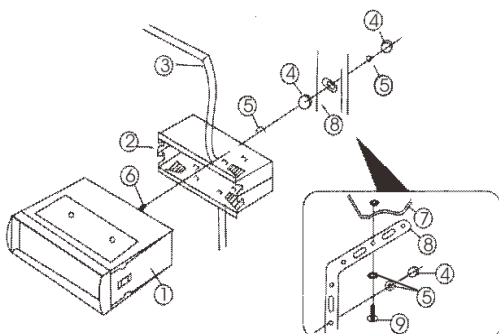
2. Helyezze be a szerelőkeretet az 1DIN helyre a műszerfalon.

3. Húzza meg a kapcsokat a keret rögzítéséhez a műszerfalhoz.

4. Helyezze be a készüléket a szerelő keret keresztül, miután csatlakoztatta a huzalokat a rajz szerint.

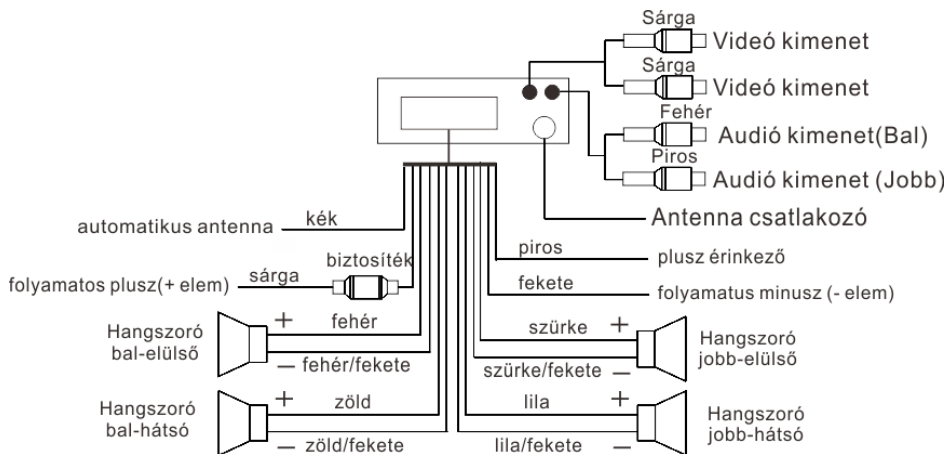


Telepítési ütemterv



1. A fő egység
2. Szerelőkeret
3. Csatlakozókábelek
4. Anya
5. Strapnel
6. Hatszögletű csavar HM5x15
7. Brida
8. Fém keret
9. Autofilent BA5x15 csavarok

Csatlakozási rajz



Problémák és megoldások

Probléma	Ok	Megoldás
Termék nem indul	<ol style="list-style-type: none"> 1. A készülék nincs megfelelően csatlakoztatva. 2. A biztosíték kiégett vagy a tápvezetékek nincsenek csatlakoztatva. 	<p>Csatlakoztassa megfelelően a tápegységet.</p> <p>Ellenőrizze a biztosítékot vagy a tápvezeteket.</p>
LCD kijelző leállt	<ol style="list-style-type: none"> 1. A sárga menet nem kapcsolódik az állandó pluszhoz. 2. A biztosíték kiégett vagy a sárga menet megszakadt. 	<p>Ellenőrizze, hogy a sárga menet az állandó pluszhoz van csatlakoztatva.</p> <p>Cserélje ki a biztosítékot.</p>
Nem hallatszik	<ol style="list-style-type: none"> 1. Nincs áram alatt. 2. A hangszóró vezetékai nincsenek csatlakoztatva. 3. Nincsenek audió fájlok SD/MMC vagy USB kártyán. 4. SD/MMC vagy USB memória nincs csatlakoztatva. 	<p>Cserélje ki a tápkábelt.</p> <p>Ellenőrizze a hangszórók vezetékait.</p> <p>Ellenőrizze SD/MMC memóriakártyát USB memóriát.</p>
Hang lassú nem egyértelmű	<ol style="list-style-type: none"> 1. Nem elegendő áram. 2. Az antenna nincs megfelelően csatlakoztatva 	<p>Cserélje ki az autó elemét.</p> <p>Ellenőrizze az antenna csatlakozását.</p>
Hang mono	<ol style="list-style-type: none"> 1. Nincs csatlakoztatva ay egyik hangszóró. 2. Az erősítő áramköre hibás. 	<p>Ellenőrizze és csatlakoztassa a hangszóró vezetékét.</p> <p>Cserélje ki az áramkört.</p>

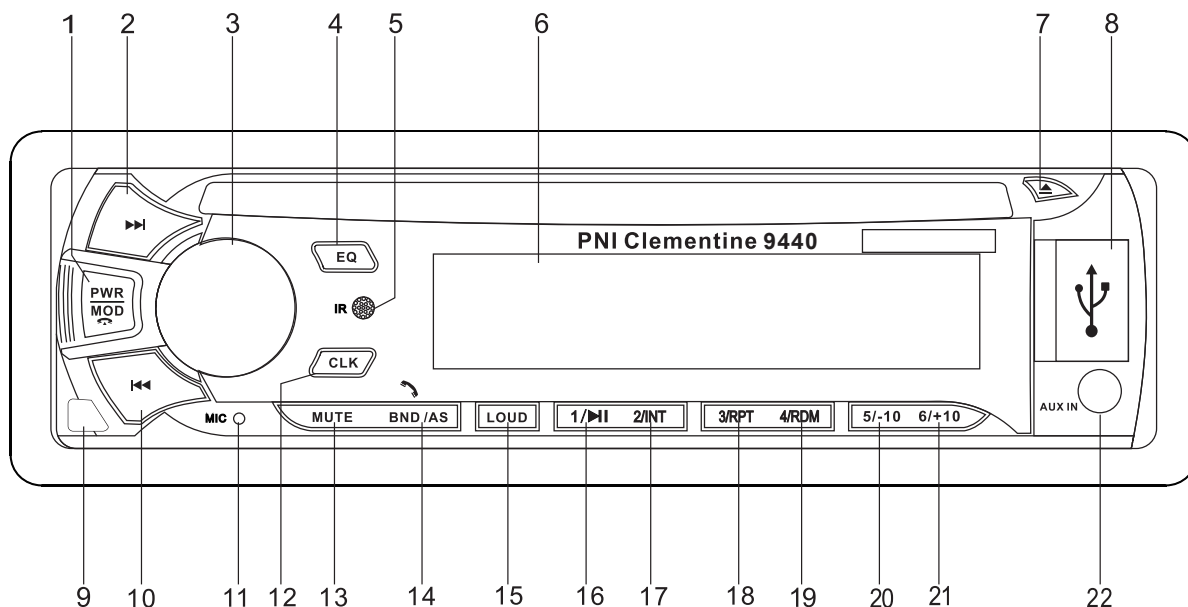
Megjegyzés: A műszaki adatok később előzetes értesítés nélkül megváltoztathatók.



PNI Clementine 9440

Manuale dell'utente

Pannello di controllo



- | | | |
|---------------------------------|------------------------------------|-------------------|
| 1. ON/Modalità(chiudi chiamata) | 8. Porta USB | 15. LOUD |
| 2. Next (Prossimo) | 9. Rilascio pannello frontale | 16. 1/▶▶ |
| 3. Volume | 10. Previous (Precedente) | 17. 2/Intro |
| 4. EQ (equalizzatore) | 11. Microfono | 18. 3/Ripetizione |
| 5. Sensore telecomando | 12. Orologio | 19. 4/Casuale |
| 6. SchermoLCD | 13. Mute | 20. 5/-10s |
| 7. Espellere | 14. Banda FM/AS(rispondi chiamata) | 21. 6/+10s |
| | | 22. Ingresso AUX |

Operazioni di base

1. ON/OFF/Modalità

Premere brevemente il tasto PWR/MOD per avviare il dispositivo.

Tenere premuto a lungo per spegnerlo.

In modalità ON, premere brevemente il tasto PWR/MOD per selezionare la fonte di riproduzione:

RADIO → DISC → USB → SD → AUX → BT
↑

Nota: Le fonti di riproduzione DISC/USB/SD sono disponibili solo quando il suddetto supporto media è inserito nel dispositivo.

2. Cambio della banda/Memorizzazione automatica (BND/AS)

Nella modalità radio, premere brevemente il tasto BND/AS per cambiare la banda radio.

Tenere premuto a lungo il tasto BND/AS per la memorizzazione automatica dei canali. Il dispositivo inizierà la ricerca automatica dei canali e le memorizzerà sui tasti marcati da 1 a 6. Dopo aver memorizzato i canali trovati, il dispositivo riprodurrà ogni canale per 5 secondi.

Premere brevemente il tasto BND/AS per selezionare il canale desiderato.

3. Next (Prossimo)

Nella modalità radio, premere brevemente il tasto ►► per cercare automaticamente i prossimi canali premere a lungo per la ricerca manuale dei seguenti canali.

Nella modalità DISC/USB/SD, premere il tasto ►► per passare al prossimo file, premere a lungo per scorrere in avanti.

4. Previous (Precedente)

Nella modalità radio, premere brevemente il tasto ◄◄ per cercare automaticamente i precedenti canali premere a lungo per la ricerca manuale dei precedenti canali.

Nella modalità DISC/USB/SD premere il tasto ◄◄ per passare al file precedente, premere a lungo per scorrere indietro.

5. Volume

1) Ruotare la manopola del volume verso destra per aumentare il volume e verso sinistra per ridurlo.

2) Premere brevemente la manopola del volume per accedere anche al menu delle impostazioni: BAS, TRE, BAL, FAD, LOUD, DSP, VOL.

3) Premere brevemente il pulsante del volume, verrà visualizzato "BAS 00", quindi ruotare il pulsante verso destra per aumentare o verso sinistra per abbassare il livello dei bassi. La gamma di regolazione va da "BAS-07" a "BAS+07".

Premere di nuovo brevemente, verrà visualizzato "TRE 00", quindi ruotare la manopola del volume verso destra per aumentare o verso sinistra per abbassare il livello degli acuti.

La gamma di regolazione va da "TRE-07" a "TRE+07".

Premere di nuovo brevemente, verrà visualizzato "BAL 00", quindi ruotare la manopola del volume verso destra per ridurre il volume degli altoparlanti a sinistra o verso sinistra per descrivere il volume degli altoparlanti a destra.

La gamma di regolazione va da "L10" a "R10".

Premere di nuovo brevemente, verrà visualizzato "FAD 00", quindi ruotare la manopola del volume verso destra per ridurre il volume degli altoparlanti posteriori o verso sinistra per descrivere il volume degli altoparlanti anteriori.

L'intervallo di regolazione va da "F10" a "R10".

Premere di nuovo brevemente, verrà visualizzato "LOUD OFF", quindi ruotare la manopola del volume per selezionare "LOUD ON".

Premere di nuovo brevemente, verrà visualizzato "DSP OFF", quindi ruotare la manopola del volume per selezionare la modalità di equalizzazione: CLASS, ROCK, POP, FLAT, DSP OFF. In modalità radio, premere di nuovo brevemente, verrà visualizzato "DX", quindi ruotare la manopola del volume per selezionare LOCAL ("LOC").

Premere di nuovo brevemente, verrà visualizzato "STEREO", quindi ruotare la manopola del volume per selezionare "MONO".

6. Premere brevemente il pulsante RESET per riavviare il dispositivo

7. **Impostazione dell'orologio**

Premere brevemente il tasto CLK, verrà visualizzata l'ora. Tenere premuto il tasto CLK, le cifre dell'ora verranno visualizzate in modalità pulsatoria, quindi ruotare la manopola del volume per impostare l'ora. Premere brevemente il tasto CLK per impostare i minuti. Ruotare la manopola del volume per regolare. Premere di nuovo brevemente CLK.

8. **1/▶II**

In modalità radio, premere brevemente il tasto 1 / ▶II per ascoltare il canale salvato. Tenere premuto per salvare un canale in questa posizione.

In modalità DISC / USB / SD, premere brevemente il tasto 1 / ▶II per mettere in pausa.

9. **2/INT**

In modalità radio, premere brevemente il tasto 2 / INT per ascoltare il canale salvato.

Tenere premuto per salvare un canale su questa posizione.

In modalità DISC / USB / SD, premere brevemente il tasto 2 / INT e il dispositivo riprodurrà ogni 10 secondi di ciascun file.

10. **3/RPT**

In modalità radio, premere brevemente il tasto 3 / RPT per ascoltare il canale salvato. Tenere premuto per salvare un canale in questa posizione.

In modalità DISC / USB / SD, premere brevemente il tasto 3 / RPT per ripetere il file corrente.

11. **4/RDM**

In modalità radio, premere brevemente il tasto 4 / RDM per ascoltare il canale salvato.

Tenere premuto per salvare un canale in questa posizione.

In modalità DISC / USB / SD, premere brevemente il tasto 4 / RDM per riprodurre i file in modo casuale.

12. **5/-10**

In modalità radio, premere brevemente il tasto 5 / -10 per ascoltare il canale salvato.

Tenere premuto per salvare un canale in questa posizione.

In modalità DISC / USB / SD, premere brevemente il tasto 5 / -10 per tornare indietro di 10 file.

13. **6/+10**

In modalità radio, premere brevemente il tasto 6 / + 10 per ascoltare il canale salvato.

Tenere premuto per salvare un canale in questa posizione.

In modalità DISC / USB / SD, premere brevemente il tasto 6 / + 10 per saltare oltre 10 file.

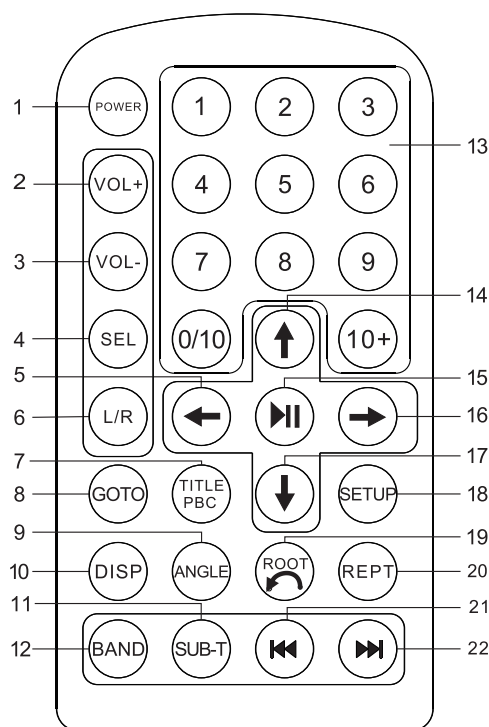
14. **MUTE**

Premere brevemente il tasto MUTE per silenziare l'audio. Premere di nuovo per riavviare.

15. **EQ**

Premere il tasto EQ per scegliere la modalità di equalizzazione del suono. Sono disponibili preimpostazioni CLASSIC, ROCK, POP, FLAT, DSP OFF.

Il telecomando



1. **POWER**: Premere brevemente per avviare, Tenere premuto per spegnere il dispositivo.

2. **VOL+**: Premere brevemente per aumentare il volume o per regolare l'orologio.

3. **VOL-**: Premere brevemente per diminuire il volume o per regolare l'orologio.

4. **SEL**: per impostare BAS, TRE, BAL, FAD, BEEP, EQ, LOUD, LOC si Stereo.

5. **←**: Premere brevemente per navigare verso sinistra.

6. **L/R**: Premere brevemente per selezionare canale audio o lingua di riproduzione.

7. **TITLE/PBC**: Nella modalità DVD, premere per mostrare il titolo del file. In modalità VCD, premere brevemente per i controlli di riproduzione.

8. **GOTO**: premere brevemente per selezionare il file desiderato.

9. **ANGLE**: premere brevemente per cambiare l'angolo di visione in modalità DVD.

10. **DISP**: Premere brevemente per impostare l'ora, Tenere premuto per impostare l'ora.

11. **SUB-T**: Premere brevemente per selezionare i sottotitoli.

12. **BAND**: In modalità radio, premere brevemente per cambiare la banda FM

13. **Cifre**: premere brevemente le cifre per riprodurre il canale memorizzato corrispondente alla cifra.

14. **↑**: premere brevemente per spostarsi verso l'alto.

15. **⏸**: confermare le impostazioni. Riproduci e ferma la riproduzione.

16. **→**: Premere brevemente per navigare a destra.

17. **↓**: Premere brevemente per navigare verso il basso.

18. **SETUP**: Premere brevemente per cambiare impostazioni di sistema.

19. **↶**: tornare al menu precedente.

20. **REPT**: Premere brevemente per ripetere il file corrente.

21. **⏮**: Premere brevemente per passare al file precedente o per cercare automaticamente il canale precedente. Premere a lungo per scorrere rapidamente indietro o cercare manualmente il canale precedente.

22. **⏭**: Premere brevemente per passare al file successivo o per cercare automaticamente il canale successivo. Premere a lungo per scorrere rapidamente in avanti o cercare manualmente il canale successivo.

Funzione Bluetooth

1. Connetti via Bluetooth

Quando il dispositivo è acceso, la funzione Bluetooth è attiva e inizierà automaticamente la ricerca o l'associazione con il telefono.

Se il telefono è già stato collegato al dispositivo, si collegheranno automaticamente se il telefono ha il Bluetooth abilitato.

Il dispositivo può essere collegato a un solo telefono alla volta. Disconnetti il telefono corrente per connetterne un altro.

2. Funzione senza-mani

Rispondi alla chiamata: quando il telefono squilla, il tono di chiamata verrà emesso anche negli altoparlanti dell'auto. Premere il tasto BND / AS sul dispositivo o direttamente sul telefono per rispondere alla chiamata.

Chiudi chiamata: per terminare la chiamata, premere il tasto PWR / MOD sul dispositivo o chiudere direttamente sul telefono.

Volume chiamate: è possibile regolare il volume sul telefono o con il pulsante del volume sul dispositivo.

3. Riproduzione audio Bluetooth

Quando il telefono è collegato al dispositivo, premere il tasto PWR / MOD per passare alla modalità "musica Bluetooth", quindi è possibile riprodurre file audio direttamente dal telefono tramite Bluetooth.



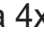

Riproduzione disco

Premere il tasto PWR / MOD per accedere alla modalità DISC.

L'ultimo file riprodotto continuerà a essere riprodotto.

Premere brevemente il tasto  per rimuovere il disco.

Il dispositivo passa automaticamente alla modalità radio.

Durante la riproduzione in modalità DISC, premere brevemente il tasto  per passare al file successivo. Quando si tiene premuto il tasto , il dispositivo inizierà a scorrere in avanti con velocità 2x, premendo nuovamente il tasto , la velocità aumenterà a 4x e quindi a 8x, 20x. Premere il tasto 1 /  per tornare alla normale riproduzione dei file.


Riproduzione CD

In modalità CD, utilizzare i tasti  /  per modificare i file.

Premere il tasto 10+ sul telecomando, quindi digitare il numero del file per passare direttamente ad esso.

Riproduzione VCD

La riproduzione del disco VCD è simile alla riproduzione CD / MP3.

Per i dischi VCD 2.0 è possibile accedere al menu del disco. Premere brevemente il pulsante di riproduzione per i file. Premere brevemente il pulsante  per tornare al menu.

Riproduzione DVD

La riproduzione DVD è simile alla riproduzione VCD 2.0.

Se il disco supporta più tracce audio, premere il tasto L / R per modificare la traccia. Se il disco supporta la selezione dei sottotitoli, premere il tasto SUB-T per modificare. Se il disco supporta la regolazione dell'angolo di visualizzazione, premere il tasto ANGLE per modificare questo parametro.

Per ulteriori funzioni, premere il tasto SETUP.

Durante la riproduzione di file video o audio, l'icona del tipo di file verrà visualizzata sullo schermo.

Nota: Se il disco non è compatibile o non può essere letto dal dispositivo, passerà automaticamente alla modalità radio.

Riproduzione file multimedia

Se sul file multimediale sono presenti file audio, video e fotografici, tenere premuto il tasto BND / AS per selezionare il tipo di file che si desidera riprodurre.

Funzione Radio



Il dispositivo può memorizzare fino a 18 canali FM (FM1, FM2, FM3, ogni 6 canali). La gamma di frequenza inizia da 87,5 MHz a 108 MHz, con incrementi di 50 KHz.

In modalità radio, premere brevemente il tasto BND / AS per alternare tra FM1, FM2 e FM3.

Salva automaticamente i canali

In modalità radio, tenere premuto il tasto BND / AS. Il dispositivo inizierà automaticamente la ricerca e la memorizzazione dei canali su ciascun pulsante di memoria.

Cerca canali

In modalità radio, premere brevemente i tasti  /  per cercare automaticamente i canali precedenti o successivi.

Premere a lungo i tasti  /  per cercare manualmente i canali precedenti o successivi.

Memorizza i canali manualmente

Se sono stati trovati canali dopo la ricerca manuale, tenere premuto uno dei 6 pulsanti di memoria per memorizzare quel canale.

Per ascoltare un canale salvato, premere brevemente uno dei pulsanti di memoria.

Porta AUX IN

Ingresso ausiliario (AUX IN)

Premere brevemente il pulsante POW / MOD per selezionare la sorgente audio AUX. La funzione può essere utilizzata con un cavo audio.

Caratteristiche

FM

Intervallo di frequenza	87.5Hz ~ 108MHz
Sensibilità	≤37dBf
Rapporto segnale / rumore	≥35dB
Separazione stereo	≥20dB

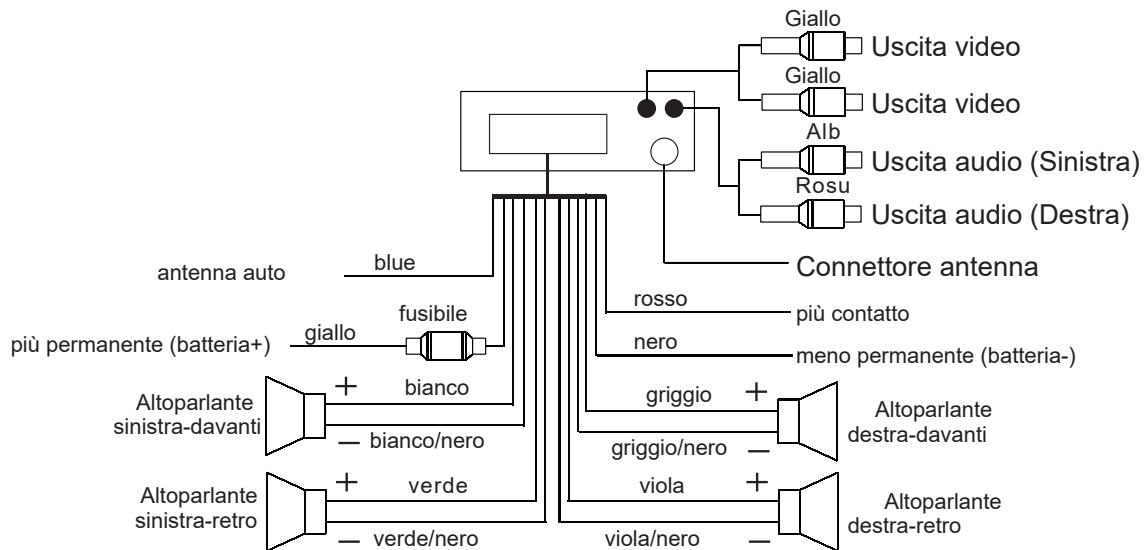
Riproduzione DISC

Formati supportati	DVD/VCD/MP4/MP3/CD
Tempo di protezione dagli shock elettronici	DVD: 4s/VCD: 10s
Risposta in frequenza	(100Hz~10kHz) ±8dB
Rapporto segnale / rumore	≥35dB
Separazione dei canali	≥25dB
Distorsione armonica al canale	≤5%
Bilanciamento dei canali stereo 1kHz	≤3dB

Caratteristiche generali

Alimentazione	DC 12V
Potenza massima in uscita	45W*4
Impedenza degli altoparlanti	4Ω ~ 8Ω
Dimensioni	178mm (L)*50mm (h)*162mm (I)

Schema dei connettori



Problemi e soluzioni

Problema	Motivo	Soluzione
Il dispositivo non si avvia	<ol style="list-style-type: none"> 1. L'alimentatore non è collegato correttamente 2. Il fusibile è bruciato o i cavi di alimentazione non sono collegati 	<p>Collegare correttamente l'alimentazione</p> <p>Controllare il fusibile o i cavi di alimentazione</p>
Schermo LCD è spento	<ol style="list-style-type: none"> 1. Il filo giallo non è collegato al più (+) permanente 2. Il fusibile è bruciato o il filo giallo è interrotto 	<p>Controllare se il filo giallo è permanentemente collegato</p> <p>Sostituire il fusibile</p>
Non si sente nulla	<ol style="list-style-type: none"> 1. Il dispositivo non è alimentato 2. Non sono collegati agli altoparlanti 3. Non ci sono dei file audio sulla scheda SD/MMC o sulla chiavetta USB 4. La scheda SD/MMC o la memoria USB non è collegata correttamente 	<p>Sostituire il cavo di alimentazione</p> <p>Controllare i cavi degli altoparlanti</p> <p>Controllare la scheda SD/MMC o la memoria USB</p>
Si sente piano o poco chiaro	<ol style="list-style-type: none"> 1. Alimentazione insufficiente 2. L'antenna non è collegata correttamente 	<p>Sostituire la batteria dell'auto</p> <p>Controllare la connessione dell'antenna</p>
Il suono è mono	<ol style="list-style-type: none"> 1. Uno degli altoparlanti non è collegato 2. Il circuito dell'amplificatore è difettoso 	<p>Controllare il cavo degli altoparlanti. Si sostituisce il circuito.</p>

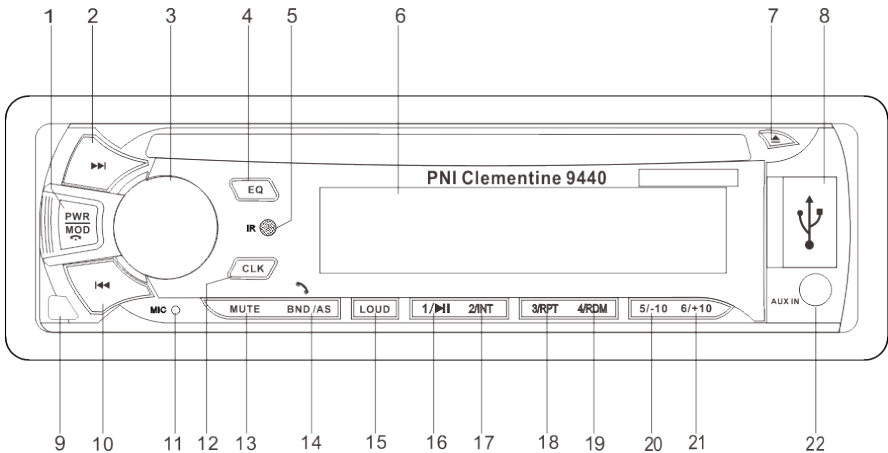
Nota: I dati tecnici possono essere modificati in un secondo momento senza preavviso.



PNI Clementine 9440

Instrukcja obsługi

Panel kontrolny



1. Włącz/Tryb(stop połączeń)
2. Next (Następny)
3. Głośność
4. EQ (Niwelacja)
5. Sensor pilota
6. Ekran LCD
7. Wyrzucić

8. Port USB
9. Zdjęcie panelu
10. Previous (Poprzedni)
11. Mikrofon
12. Czas
13. Mute
14. Pasma FM/AS
(odbierz telefon)

15. LOUD
16. 1/|HI
17. 2/Intro
18. 3/powtórz
19. 4/Losowo
20. 5/-10s
21. 6/+10s
22. Wejście AUX

Podstawowe operacje

1. On / Off / Tryb

Naciśnij krótko przycisk PWR / MOD, aby uruchomić urządzenie. Przytrzymaj i przytrzymaj, aby zatrzymać.

Po włączeniu krótko naciśnij przycisk PWR / MOD, aby wybrać źródło odtwarzania:

RADIO → DISC → USB → SD → AUX → BT



Uwaga: Źródła odtwarzania DISC / USB / SD są dostępne tylko po włożeniu tego rodzaju nośnika.

2. Zmiana pasma / automatyczne przechowywanie (BND / AS)

W trybie radia krótko naciśnij przycisk BND / AS, aby zmienić pasmo radiowe. Długo naciśnij przycisk BND / AS, aby automatycznie zapisywać kanały. Urządzenie rozpocznie wyszukiwanie kanałów i zapisze je na numerowanych przyciskach od 1 do 6. Po znalezieniu znalezionych kanałów urządzenie utworzy jeden z zapisanych kanałów przez 5 sekund.

Naciśnij krótko przycisk BND / AS, aby wybrać żądany kanał.

3. Next (Następny)

W trybie radia naciśnij krótko klawisz ►► aby automatycznie wyszukiwać następujące kanały, naciśnij długo, aby ręcznie przeszukać następujące kanały.

W trybie DISC / USB / SD krótko naciśnij przycisk ►► aby przejść do następnego pliku, naciśnij dłużej, aby przewinąć do przodu.

4. Previous (Poprzedni)

W trybie radia naciśnij krótko przycisk ◄◄ aby automatycznie wyszukać poprzednie kanały, i naciśnij, aby ręcznie wyszukać poprzednie kanały.

W trybie DISC / USB / SD krótko naciśnij przycisk ◄◄ aby przejść do poprzedniego pliku, i naciśnij dłużej, aby przewinąć.

5. Głośność

1) Obróć pokrętkę głośności w prawo, aby zwiększyć głośność, lub w lewo, aby zmniejszyć głośność.

2) Naciśnij krótko pokrętkę głośności, aby wejść do menu ustawień, na przykład: BAS, TRE, BAL, FAD, LOUD, DSP, VOL.

3) Naciśnij krótko przycisk głośności, pojawi się "BAS 00", następnie przekręć pokrętkę w prawo, aby zwiększyć lub w lewo, aby zmniejszyć poziom basów.

Interwał regulacji wynosi od "BAS-07" do "BAS + 07".

Ponownie naciśnij krótko, będzie to wioska "TRE 00", następnie obróć pokrętkę głośności w prawo, aby zwiększyć lub w lewo, aby zmniejszyć poziom wysokich tonów.

Zakres regulacji wynosi od "TRE-07" do "TRE + 07".

Ponownie naciśnij krótko, będzie to "BAL 00", a następnie obróć pokrętkę głośności w prawo, aby zmniejszyć głośność lewego lub lewego głośnika, aby zmniejszyć głośność głośnika w prawo.

Zakres regulacji wynosi od "L10" do "R10".

Naciśnij krótko: będzie to "FAD 00", a następnie obróć pokrętkę głośności w prawo, aby zmniejszyć głośność tylnych lub lewych głośników, aby zmniejszyć głośność przednich głośników.

Zakres regulacji od "F10" do "R10".

Naciśnij krótko jeszcze raz, będzie to "LOUD OFF", a następnie obróć pokrętkę głośności, aby wybrać "LOUD ON".

Ponownie naciśnij krótko, będzie to "DSP OFF", a następnie obróć pokrętkę głośności, aby wybrać tryb korekcji: CLASS, ROCK, POP, FLAT, DSP OFF.

W trybie radia, krótko naciśnij jeszcze raz, będzie to "DX", a następnie obróć pokrętkę głośności, aby wybrać LOCAL ("LOC").

Ponownie naciśnij krótko, pojawi się "STEREO", a następnie obróć pokrętkę głośności, aby wybrać "MONO".

6. Naciśnij krótko przycisk **RESET**, aby ponownie uruchomić urządzenie

7. Ustawienie czasu

Krótko naciśnij klawisz CLK, wyświetli się czas. Naciśnij długo klawisz CLK, ekran będzie cyframi czasu impulsu, a następnie obróć pokrętkę głośności, aby ustawić h.

Krótko naciśnij klawisz CLK, aby ustawić minuty. Obróć pokrętkę głośności, aby wyregulować. Naciśnij ponownie klawisz CLK.

8. 1/▶▶

W trybie radia naciśnij krótko klawisz 1/▶▶ aby słuchać zapisanego kanału. Długo naciśnij, aby zapisać kanał w tej pozycji.

W trybie DISC / USB / SD krótko naciśnij przycisk 1/▶▶ aby zatrzymać.

9. 2/INT

W trybie radia krótko naciśnij 2 / INT, aby odsłuchać zapisany kanał. Długo naciśnij, aby zapisać kanał w tej pozycji.

W trybie DISC / USB / SD krótko naciśnij przycisk 2 / INT, a urządzenie będzie odtwarzane przez 10 sekund z każdego pliku.

10. 3/RPT

W trybie radia, krótko naciśnij przycisk 3 / RPT, aby odsłuchać zapisany kanał. Długo naciśnij, aby zapisać kanał w tej pozycji.

W trybie DISC / USB / SD krótko naciśnij przycisk 3 / RPT, aby powtórzyć bieżący plik.

11. 4/RDM

W trybie radia naciśnij krótko przycisk 4 / RDM, aby odsłuchać zapisany kanał. Długo naciśnij, aby zapisać kanał w tej pozycji.

W trybie DISC / USB / SD krótko naciśnij przycisk 4 / RDM, aby odtwarzać pliki losowo.

12. 5/-10

W trybie radia krótko naciśnij 5 / -10, aby odsłuchać zapisany kanał. Długo naciśnij, aby zapisać kanał w tej pozycji.

W trybie DISC / USB / SD krótko naciśnij 5 / -10, aby przeskoczyć ponad 10 plików.

13. 6/+10

W trybie radia krótko naciśnij 6 / + 10, aby odsłuchać zapisany kanał. Długo naciśnij, aby zapisać kanał w tej pozycji.

W trybie DISC / USB / SD krótko naciśnij 6 / + 10, aby przeskoczyć do przodu o 10 plików.

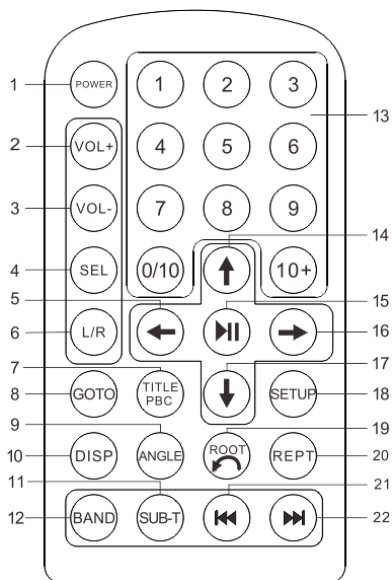
14. MUTE

Naciśnij krótko przycisk MUTE, aby wyciszyć dźwięk. Naciśnij ponownie, aby ponownie uruchomić.

15. EQ

Naciśnij przycisk EQ, aby wybrać tryb korekcji dźwięku. Dostępne są ustawienia CLASSIC, ROCK, POP, FLAT, DSP OFF.

Prezentacja pilota



1. POWER: Naciśnij krótko, aby włączyć, naciśnij i przytrzymaj, aby zatrzymać.
2. VOL+: krótko naciśnij, aby zwiększyć głośność lub dostosować zegar.
3. VOL-: krótko naciśnij, aby zmniejszyć głośność lub dostosować zegar.
4. SEL: do ustawiania BAS, TRE, BAL, FAD, BEEP, EQ, LOUD, LOC i Stereo.
5. L/R: krótko naciśnij, aby wybrać kanał dźwiękowy lub język.
6. GOTO: krótko naciśnij, aby wybrać żądaną plik.
7. ANGLE: krótko naciśnij, aby zmienić kąt widzenia w trybie DVD.
8. DISP: naciśnij krótko, aby wyświetlić czas, naciśnij i przytrzymaj, aby ustawić godzinę.
9. SUB-T: krótko naciśnij, aby wybrać napisy.
10. BAND: W trybie radia naciśnij krótko, aby zmienić pasmo FM.
11. BAND: W trybie radia naciśnij krótko, aby zmienić pasmo FM.
12. BAND: W trybie radia naciśnij krótko, aby zmienić pasmo FM.
13. Cifre: krótko naciśnij cyfry, aby odtworzyć zapisany kanał odpowiadający.
14. ↑: naciśnij aby przejść w górę.
15. ►: confirma setarile. Odczytaj I zatwierdź.
16. ►: krótko naciśnij, aby nawigować w prawo.
17. ↓: naciśnij i przejdź w dół.
18. SETUP: krótko naciśnij, aby zmienić ustawienia systemu.
19. ↶: powrócić do poprzedniego menu.
20. REPT: krótko naciśnij, aby powtórzyć bieżący plik.
21. ◀: krótko naciśnij, aby przejść do poprzedniego pliku lub automatycznie wyszukać poprzedni kanał. Przytrzymaj, aby szybko przewinąć do tyłu lub ręcznie wyszukać poprzedni kanał.
22. ▶: krótko naciśnij, aby przejść do następnego pliku lub automatycznie wyszukaj następny kanał. Długie naciśnięcie umożliwia przewijanie do przodu lub ręczne wyszukiwanie następnego kanału.

Funkcje Bluetooth

1. Połącz przez Bluetooth

Gdy urządzenie jest włączone, funkcja Bluetooth jest włączona i automatycznie rozpoczyna wyszukiwanie lub parowanie z telefonem.

Jeśli Twój telefon jest podłączony do urządzenia, będą się one automatycznie łączyć, jeśli Twój telefon ma włączony Bluetooth.

Urządzenie może łączyć się tylko z jednym telefonem naraz. Odłącz bieżący telefon, aby połączyć inny telefon.

2. Funkcja Hands-free

Odbieranie połączeń: po wywołaniu telefonu dzwonek będzie również odtwarzany w głośnikach samochodowych. Naciśnij przycisk BND / AS na urządzeniu lub bezpośrednio na telefonie, aby odebrać połączenie.

Zakończ połączenie: Aby zamknąć połączenie, naciśnij przycisk PWR / MOD na urządzeniu lub zamknij bezpośrednio na telefonie.

Głośność połączeń: możesz dostosować głośność w telefonie lub przycisk głośności na urządzeniu.

3. Odczyt audio przez Bluetooth

Gdy telefon jest podłączony do urządzenia, naciśnij przycisk PWR / MOD, aby przejść do trybu "Bluetooth music", a następnie możesz odtwarzać pliki audio bezpośrednio z telefonu przez Bluetooth.

Odtwarzanie płyt



Naciśnij przycisk PWR / MOD, aby przejść do trybu DISC.

Ostatni nagrany plik zostanie odtworzony.

Nacisnij krótko  aby wyjąć dysk.

Urządzenie przełączy się automatycznie w tryb radia.

Podczas odtwarzania w trybie DISC naciśnij  aby przejść do nast pliku.

Po długim naciśnięciu , urządzenie znacznie przewijając do przodu 2x szybciej, naciskając jeszcze raz długo , prędkość zwiększy się do 4x, a następnie do 8x, 20x.

Naciśnij  aby powrócić do normalnego odtwarzania.


Odczyt CD

W trybie CD użyj klawiszy  /  aby zmieniać pliki.

Nacisnij przycisk 10+ na pilocie następnie wpisz numer tokena, aby przejść bezpośrednio do niego.

Odczyt VCD

Odtwarzanie na płytach VCD jest podobne do odtwarzania na CD / MP3.

W przypadku płyt VCD 2.0 można również przejść do menu płyty. Krótko naciśnij przycisk odtwarzania na pliku. Naciśnij krótko przycisk  aby powrócić do menu.

Odczyt DVD

Odtwarzanie na dyskach DVD jest podobne do odtwarzania na VCD 2.0.

Jeśli płyta obsługuje wiele ścieżek audio, naciśnij klawisz L / R, aby zmienić ścieżkę. Jeśli dysk obsługuje wybieranie napisów, naciśnij przycisk SUB-T, aby zmienić. Jeśli dysk obsługuje regulację kąta widzenia, naciśnij przycisk ANGLE, aby zmienić ten parametr. Aby uzyskać więcej funkcji, naciśnij klawisz SETUP.

Podczas odtwarzania wideo lub audio ikona typu pliku zostanie wyświetlona na ekranie.

Uwaga: Jeśli płyta nie jest kompatybilna lub nie może być odczytana przez urządzenie, przełączy się automatycznie w tryb radia.

Odczyt plików multimedialn

Jeśli na nośniku znajdują się pliki audio, wideo i zdjęcia, naciśnij długo przycisk BND / AS, aby wybrać typ pliku, który chcesz odtwarzać.

Sterowanie radiem

Urządzenie może zapamiętać do 18 kanałów FM (FM1, FM2, FM3, każde 6 kanałów).



Zakres częstotliwości rozpoczyna się od 87,5 MHz do 108 MHz, z przyrostem 50 KHz.



W trybie radia, krótko naciśnij przycisk BND / AS, aby przełączać pomiędzy FM1, FM2 i FM3.

Automatycznie przechowuj kanały

W trybie radia przytrzymaj przycisk BND / AS. Urządzenie automatycznie zacznie wyszukiwać i zapisywać kanały na każdym przycisku pamięci.

Szukanie kanałów

W trybie radia, krótko naciśnij klawisze  /  aby automatycznie wyszukać poprzednie lub następne kanały.

Długo naciskaj klawisze  /  aby ręcznie wyszukać poprzednie lub następne kanały.

Ręczne zapisywanie kanałów

Jeśli kanały zostały znalezione po ręcznym wyszukiwaniu, przytrzymaj jeden z 6 przycisków pamięci, aby zapisać kanał.

Aby odsłuchać zapisany kanał, krótko naciśnij jeden z przycisków pamięci.

Port AUX IN

Gniazdo wejśc. (AUX IN)

Naciśnij krótko przycisk POW / MOD, aby wybrać źródło dźwięku AUX.

Funkcja może być używana z kablem audio.

Specyfikacje

FM	
Zakres częstotliwości	87.5 MHz - 108 MHz
Czułość	≤ 37 dBf
Raport sygnału/szumu	≥ 35 dB
Podział stereo	≥ 20 dB
Odczyt DISC	
Obsług. formaty	DVD/VCD/MP4/MP3/CD
Elektroniczny czas ochr. Wstrząs	DVD: 4s / VCD: 10s
Odp. częstotliwościowa	(100 Hz ~ 10 kHz) ± 8 dB
Raport sygnału/szumu	≥ 35 dB
Podział kanałów	≥ 25 dB
Zniekształcenie przy 1 kHz	≤ 5 %
Balans kanału stereo	≤ 3 dB
Cechy główne	
Napięcie	DC 12 V
Moc maks. wyjścia	45W x 4
Impedancja głośników	4 Ω ~ 8 Ω
Wymiary	178 x 50 x 162 mm

Instrukcje montażowe

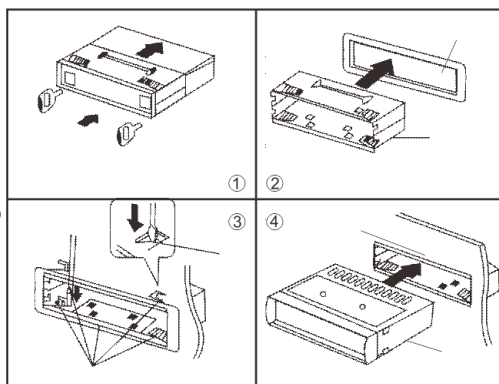
1. Przeczytaj uważnie przed montażem.
2. Urządzenie musi być montowane przez wykwalifikowany personel.
3. Podłącz zasilanie (-a) po podłączeniu innych komponentów (głośników, anteny radiowej itp.).
4. Odsłonięte nici muszą być izolowane.
5. Ostrożnie ukryj swoje urządzenie przed instalacją urządzenia.
6. Urządzenie zasilane jest wyłącznie napięciem stałym o napięciu 10V ~ 15V.
7. Połącz pożyry zgodnie ze schematem montażu.
W przeciwnym razie istnieje ryzyko uszkodzenia instalacji elektrycznej.

1. Klucze do usuwania.

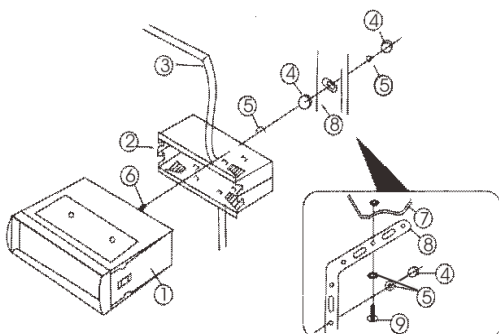
2. Wstaw ramkę montażową do przestrzeni 1DIN na desce rozdzielczej.

3. Zwinąć zaciski, aby przymocować ramę do deski rozdzielczej.

4. Włóż urządzenie przez ramkę montażową po podłączeniu przewodów zgodnie ze schematem.

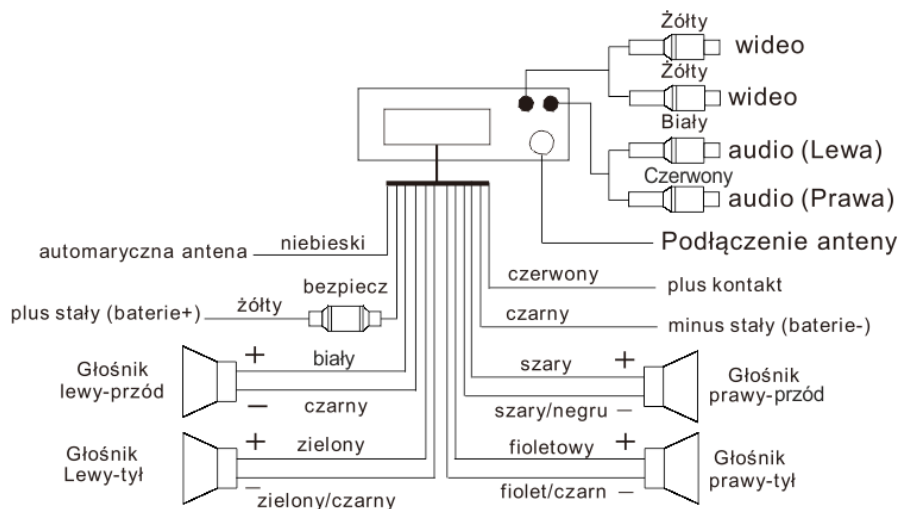


Schemat instalacji



1. Główna jednostka
2. Rama montażowa
3. Kable połączeniowe
4. Nut
5. Śrapnel
6. Śruba sześciokątna HM5x15
7. Brida
8. Metalowa rama
9. Śruby Autofilent BA5x15

Schemat połączeń



Problemy i rozwiązania

Problem	Powód	Rozwiązanie
Produkt się nie włącza	1. Zasilanie nie jest prawidłowo podłączone. 2. Bezpiecznik jest spalony lub nie jest podłączony kabel zasilający.	Podłącz prawidłowo zasilacz. Sprawdź, bezpiecznik lub źródło zasilania.
Ekran LCD jest wyłączony	1. Żółty bezpiecznik nie jest podłączony do stałego plusa. 2. Bezpiecznik jest spalony lub żółty przewód jest uszkodzony.	Sprawdź, czy żółty przewód jest podłączony do stałego plusa. Wymień bezpiecznik.
Nic nie słychać	1. Nie jest zasilany. 2. Głośniki nie są podłączone. 3. Brak ścieżek dźwiękowych na karcie SD / MMC lub karcie USB. 4. Karta SD / MMC lub pamięć USB nie są prawidłowo podłączone.	Wymień przewód zasilający. Sprawdź głośniki. Sprawdź kartę pamięci SD / MMC lub pamięć USB.
Słychać	1. Niewystarczające zasilanie. 2. Antena nie jest prawidłowo podłączona.	Wymień akumulator. Sprawdź połączenie anteny.
Dźwięk jest mono	1. Jeden z głośników nie jest podłączony. 2. Obwód wzmacniacza jest uszkodzony.	Sprawdź i podłącz złącze głośnikowe. Wymień obwód.

Uwaga: Dane techniczne mogą być następnie modyfikowane bez powiadomienia.

EN:**EU Simplified Declaration of Conformity**

SC ONLINESHOP SRL declares that **Car DVD radio PNI Clementine 9440** is in compliance with the Directive EMC 2014/30/EU, RED 2014/53/UE and LVD 2014/35/UE.

The full text of the EU declaration of conformity is available at the following Internet address:

<https://www.mypni.eu/products/5804/download/certifications>

RO:**Declaratie UE de conformitate simplificata**

SC ONLINESHOP SRL declara ca **Radio DVD auto PNI Clementine 9440** este in conformitate cu Directiva EMC 2014/30/EU, RED 2014/53/UE si LVD 2014/35/UE.

Textul integral al declarației UE de conformitate este disponibil la urmatoarea adresa de internet:

<https://www.mypni.eu/products/5804/download/certifications>

HU:**EU közlemény egyszerűsített megfelelés**

SC ONLINESHOP SRL kijelenti, hogy a **Autó DVD rádió PNI Clementine 9440** megfelel az EMC 2014/30/EU, RED 2014/53/UE és LVD 2014/35/UE irányelvnek.

Az EU-megfelelőségi nyilatkozat teljes szövege a következő internetes címen érhető el:

<https://www.mypni.eu/products/5804/download/certifications>

PL:**Uproszczona deklaracja zgodności UE**

SC ONLINESHOP SRL oświadcza, że **Radio samochodowe DVD PNI Clementine 9440** jest zgodny z dyrektywą EMC 2014/30/EU, RED 2014/53/UE i LVD 2014/35/UE.

Pełny tekst deklaracji zgodności UE dostępny jest pod następującym adresem internetowym:

<https://www.mypni.eu/products/5804/download/certifications>