



PNI SafeHome PTY500BL

PNI SafeHome PTY500BR

Smart lock / Yala inteligenta



EN	User manual	3
RO	Manual de utilizare	17

Information and warnings

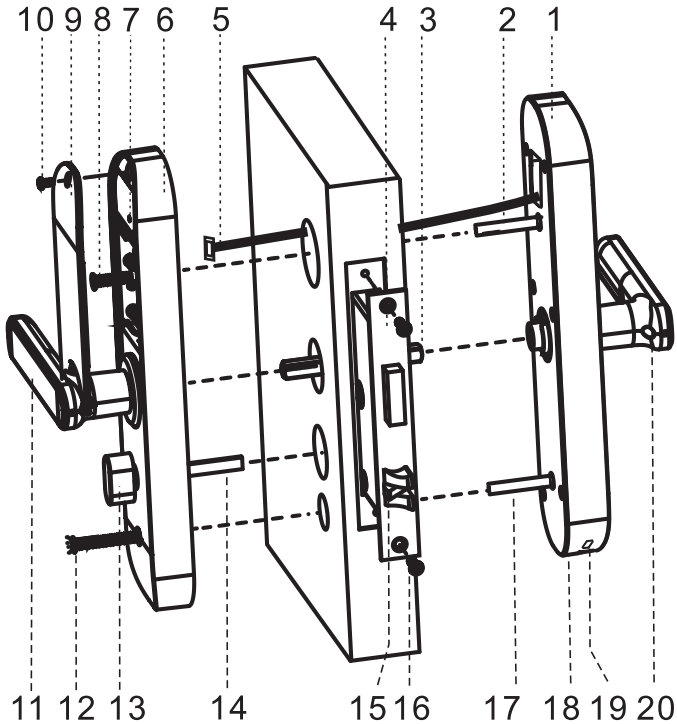
- Prepare a Phillips screwdriver and 4 AA batteries before installing the lock.
- Before installing the lock, make sure you have clean hands so as not to stain its surface. Do not use detergents, alcohol or corrosive substances to clean the surface of the lock. Use only a soft cloth slightly moistened with water.
- With the basic settings, the lock can be opened by any fingerprint, card or by password 1234567890 #. If none of the opening methods work, use the mechanical key to unlock the lock.
- Install 4 fully charged AA batteries. If the voltage is not sufficient (<4.8V), the lock will emit a warning sound. Replace the batteries with new ones.
- The lock is recommended for doors with a thickness between 40 and 100 mm.

Main features

- The total capacity of the system is 300 users and 100 fingerprints (of which, the first 3 are as administrators).
- The system supports passwords of 6-8 characters and 20 virtual passwords (generated by the application).
- The system warns in case of low voltage.

Fingerprint sensor	Semi-conductor
DPI	500
Identification time	0.3 sec.
Unlock methods	Fingerprint, Card, Password, Mechanical key and Application
Supply voltage	6V
Low voltage warning level	4.8V
Standby current	≤50μA




Description of lock components



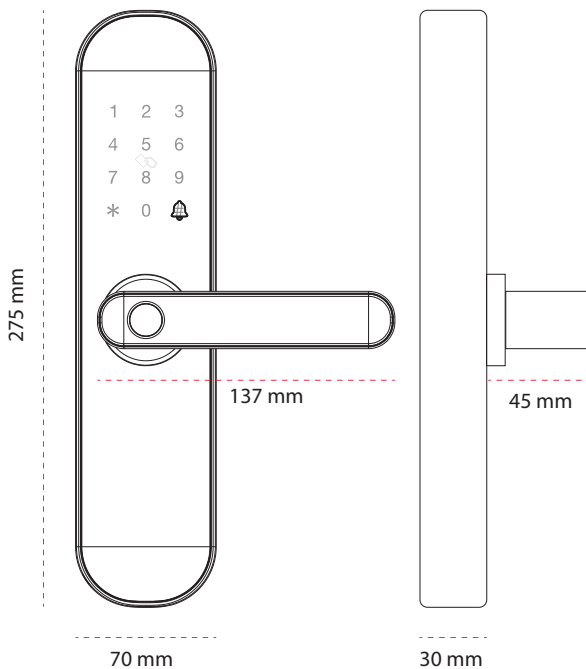
1. Front panel
2. Connection column
3. Square steel
4. Lock body
5. Connection Line
6. Back panel
7. SET button (add administrators / users, pairing, reset)
8. Connection column screws
9. Battery cover
10. Battery cover screw
11. Back handle
12. Connection column screws
13. Reverse lock knob
14. Back locking paddle
15. Latch-bolt
16. Lock body screws

- 17. Connection column
- 18. Key hole
- 19. Micro USB port (emergency power port)
- 20. Front handle

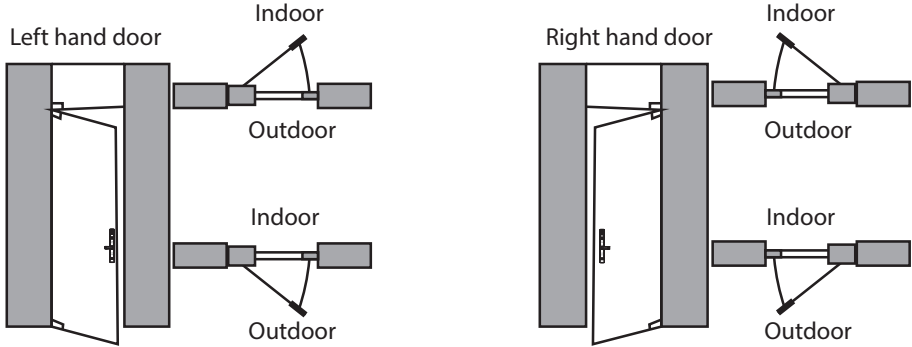
Included accessories

		
<p>Square steel (8 cm, 10 cm, 12 cm)</p>	<p>Connection column (3.5 cm, 5.5 cm)</p>	<p>Connection column screws (3 cm, 5 cm, 7 cm, 9 cm)</p>

Dimensions



Door opening direction



WARNINGS:

- We recommend that you contact qualified personnel to install the lock.
- Read all instructions carefully before installing the lock.
- Be careful not to press or bend the connection cables during installation.
- Before choosing the type of lock and before installing it, pay attention to the opening direction of the door (left or right).
- During the installation of the lock, the door must be half opened.
- After installing the lock, first test the password unlock method (default 1234567890 #) and the mechanical key. Test the opening of the lock on both sides of the door. If the lock does not unlock with any of the above methods, check the cable connection.

Opening the lock with the mechanical key

1. When the lock is locked, insert the mechanical key into the hole in the bottom of the outer body of the it.
2. Turn the key.
3. Pull the lock handle up.
4. The lock will unlock.
5. Open the door.

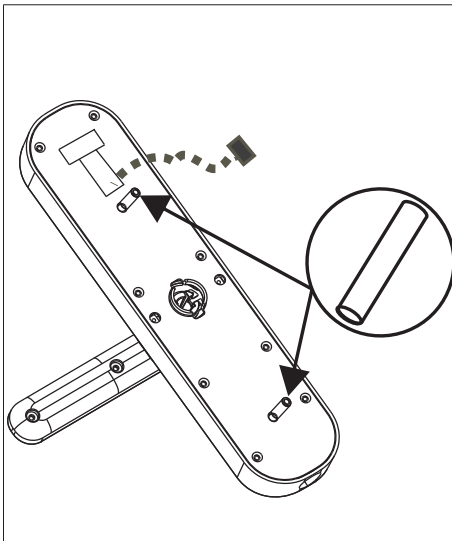
Installation instructions

1. Use the model included in the package to mark and make the holes needed to mount the lock.
2. Install the lock body first. Secure it with the included screws.

Note: the package includes several mounting accessories that must be chosen depending on the thickness of the door on which the lock is installed. Refer to the table below to choose the right accessories for your door.

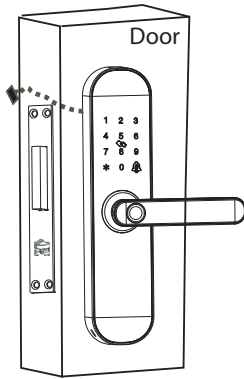
Door thickness	Square steel length	Connection column length	Length of connection column screws
4.0 - 5.5 cm	8 cm	3.5 cm	3 cm and 5 cm
5.5 - 6 cm	8 cm	5.5 cm	3 cm and 5 cm
7.0 - 8.0 cm	10 cm	5.5 cm	5 cm and 7 cm
9.0 - 10 cm	12 cm	5.5 cm	7 cm and 9 cm

3. Install the two bodies of the lock:

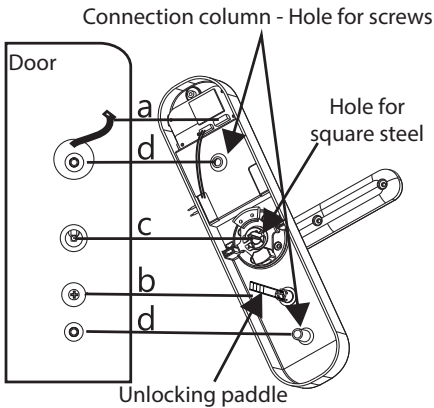


Install the outer body of the lock firstly:

- Screw two screws onto the back of the outer body of the lock. Choose the screws according to the thickness of your door. Please refer to the table above.



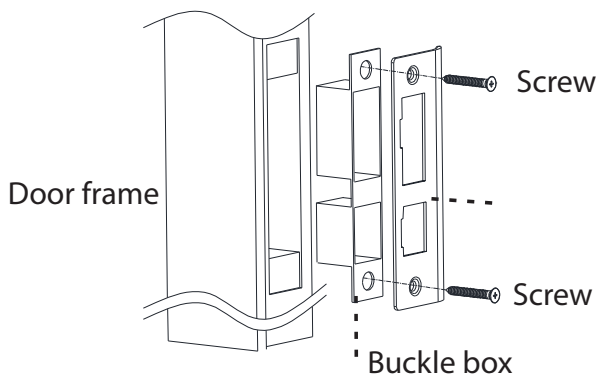
- Insert the square steel into the hole on the back of the outer body of the lock.
- Pass the connection cables through the hole previously made in the door.
- Pass the square steel through the door and through the lock.
- Push the body of the lock until it approaches the door.



Install the inner body of the lock

- Insert the connector on the connecting cables coming from the outer body of the lock into the socket on the back of the inner body of the lock.
- Insert the locking paddle into the dedicated hole on the lock. You can shorten the locking paddle depending on the thickness of the door.
- Insert the square steel into the dedicated hole on the inner body of the lock. Push the body of the lock until it approaches the door.
- Align the connection columns (which were previously screwed onto the outer body of the lock) with the holes on the inner body of the lock. Now fasten the two body of the door lock, screwing the two screws included in the package. Refer to the table above for the correct choice of screws depending on the thickness of the door.

4. Install the buckle plate and buckle box



Usage instructions

Add Administrator:

1. Remove the cover from the battery compartment.
2. Briefly press the SET button or long press the * key on the keyboard.
You will hear the message **“Please add administrator”**.



3. Register the Administrator with a **fingerprint** (the fingerprint must be scanned 3 times), with a **card** or **password** (the password must contain 6-8 digits followed by # and must be entered 2 times for registration).
4. You will hear the message **“Add successfully”**.
5. You can stop at one administrator or you can continue to add two

more administrators.

Notes:

Press * key: for back and log out

Press # key: for confirmation

Add User:

1. Remove the cover from the battery compartment.
2. Briefly press the SET button or long press the * key on the keyboard. You will hear the message “**Please verify the administrator**”.
3. Enter the administrator verification data (depending on the method you registered with: fingerprint, card, password)
4. Register the **User** with a **fingerprint** (the fingerprint must be scanned 3 times), with a **card** or with a **password** (the password must contain 6-8 digits followed by # and must be entered 2 times for registration).
5. You will hear the message “**Add successfully**”.
6. You can continue to add users.

Delete User:

1. Remove the cover from the battery compartment.
2. Briefly press the **SET** button or long press the * key on the keyboard. You will hear the message “**Please verify the administrator**”.
3. Enter the administrator verification data (depending on the method you registered with: fingerprint, card, password).
4. Briefly press the **SET** button again or press and hold *
5. Press key 1 - to delete all user fingerprints; Press the 2 key - to delete all user passwords; Press the 3 key - to delete all user cards; Press the 4 - key to delete all users (Note: The administrator will not be deleted).
6. You will hear the message “**Successful**”.

Reset the lock:

1. Remove the cover from the battery compartment.
2. Remove a battery.
3. Keep pressing the Reset button while inserting the battery in its place.
4. Input the Master password 075526929133#
5. The system will return to the factory settings. The default Administrator password will become 1234567890 #.
6. After resetting, add an Administrator immediately.

ADDITIONAL FUNCTIONS

Lock in case of wrong password:

If the password was entered incorrectly 5 times in a row, the system will lock for 180 seconds. You can unlock the system by scanning your fingerprint or the card you registered with.

Low voltage warning:

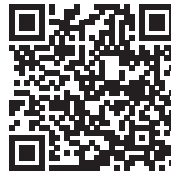
If the battery voltage drops below 4.8V, you will hear the message “**The battery is used up, please replace battery**”. Replace the batteries.

Tuya Smart APP

Download the **Tuya Smart** app by accessing Google Play or the App Store or scan the QR codes below:




Android



iOS

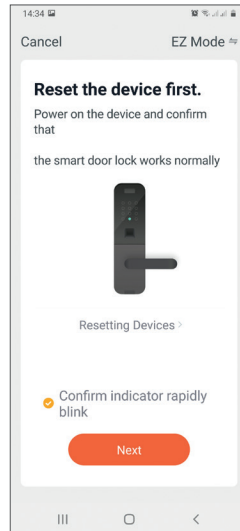
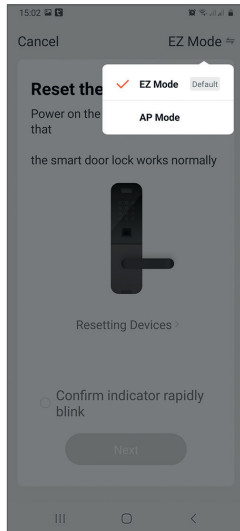
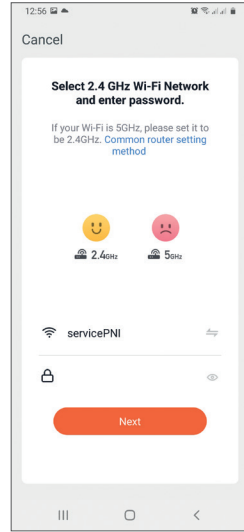
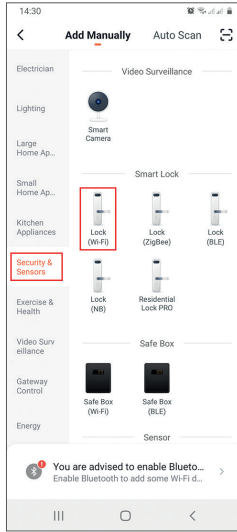
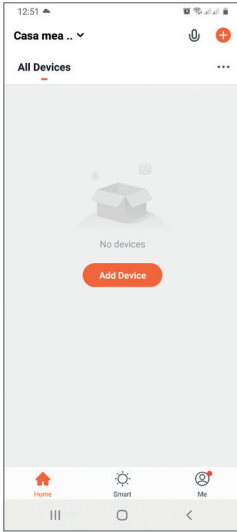
Add the lock in the Tuya Smart application

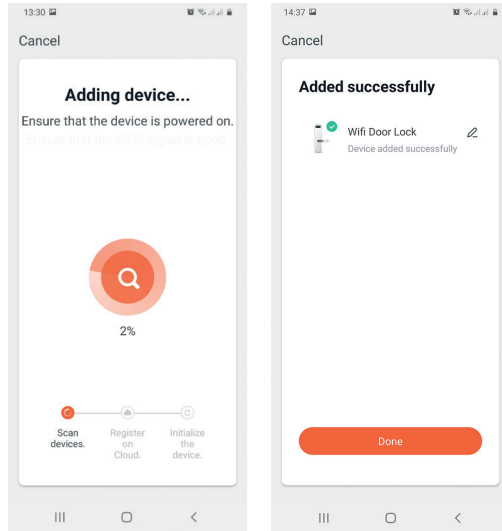
1. Open the application, create an account and log in.
2. Add your device by pressing the **+** icon in the upper right corner of the screen or by pressing the Add device button (this button appears when you do not have any device added in the application).
3. Select the option **Security & Sensors** on the left side of the screen.
4. From the list of devices on the right side of the screen, select **Lock (Wi-Fi)** 
5. Select the WiFi network you want to connect to and add the password
6. In the next interface, select the option **EZ Mode** from the upper right corner.
7. Power the lock: the indoor unit with 4 AA batteries, and the outdoor unit, wired, from the indoor unit. Do not put back the battery cover.

8. To put the lock in pairing mode follow the steps below:
 - Briefly press the Reset key below the battery area (batteries not included):



- Or long press * on the numeric panel of the outer yale.
 - You will hear the message **Please add administrator**.
 - Register your fingerprint (3 times in a row) or RFID card or password (2 times in a row) consisting of 6-8 digits followed by #.
 - You will hear the message **Add successfully**.
 - You can continue to add administrators (maximum 3) or you can wait until the lock exits adding administrators.
 - At the end you will hear the message **Quick setting**.
 - After adding administrators, briefly press the 3 + key # on the numeric panel of the outer lock.
 - You will hear the message **Please verify admin**.
 - Enter the password, or card or fingerprint with which you registered.
 - After a few seconds, key 8 will start flashing.
 - You will hear the message **Please connect Wifi by the phone**.
 - The lock is now in pairing mode.
9. Go back into the app and tick **Confirm indicator rapidly blinks**. Click **Next**.
 10. After the application identifies your lock, you will receive the confirmation **Added Successfully**.
 11. To finish, click the **Done** button.



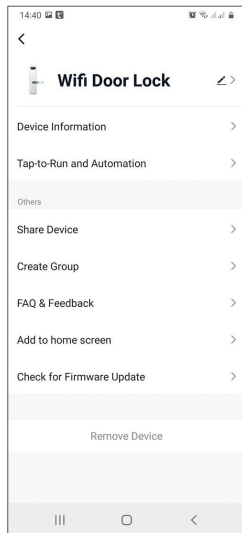
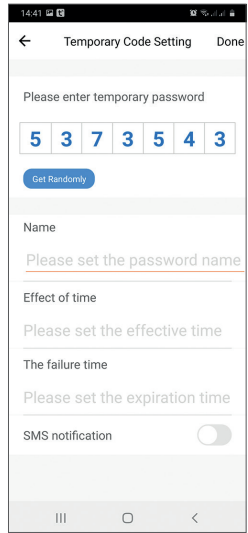
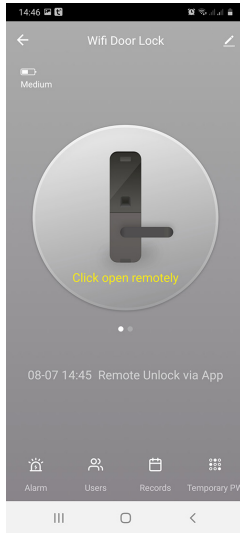
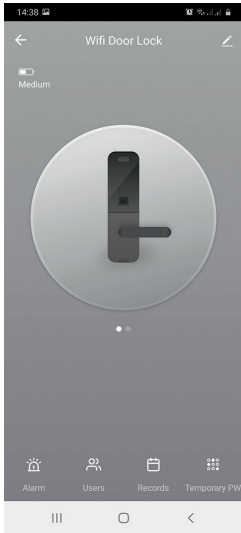


Device control in the application

From the application you can generate temporary passwords or dynamic passwords with unique use and limited validity (maximum 5 minutes), you can manage users or you can see the history of alarms and actions to unlock / lock the lock.

You can open the lock remotely and first by pressing the 4 key + the # key on the lock keyboard, then, in the application, click on **Click open remotely**.

Each time you unlock the lock, you will receive a notification on your mobile phone.



Informatii si attentionari

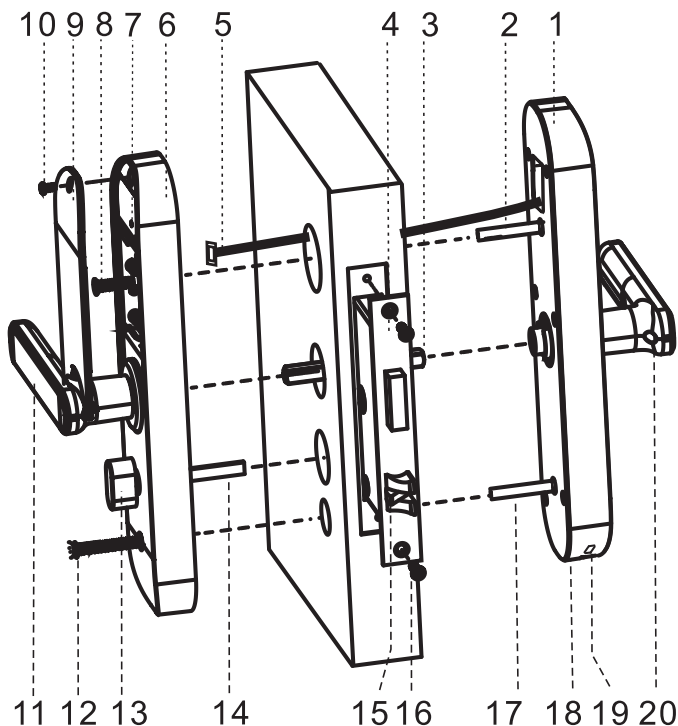
- Pregatiti o surubelnita in cruce si 4 baterii AA inainte de instalarea yalei.
- Inainte de a instala yala, asigurati-va ca aveti mainile curate, pentru a nu pata suprafata acesteia. Pentru a curata suprafata yalei, nu folositi detergenti, alcool sau substante corozive. Folositi doar o carpa moale, usor umezita in apa.
- Cu setarile de baza, yala poate fi deschisa de orice amprenta, card sau parola 1234567890#. Daca nici una dintre metodele de deschidere nu functioneaza, folositi cheia mecanica pentru de debloca yala.
- Instalati 4 baterii AA complet incarcate. Daca tensiunea nu este suficienta (<4.8V), yala va emite un sunet de avertizare. Inlocuiti bateriile cu unele noi.
- Yala este recomandata pentru usi cu o grosime cuprinsa intre 40 si 100 mm.

Caracteristici principale

- Capacitatea totala a sistemului este de 300 de utilizatori si 100 de amprente (dintre care, primele 3 sunt cu rol de administrator).
- Sistemul suporta parole de 6-8 caractere si 20 de parole virtuale (generate prin aplicatie).
- Sistemul avertizeaza in caz de tensiune scazuta.

Senzor amprenta	Semiconductor
DPI	500
Timp identificare	0.3 sec.
Moduri de deblocare	Amprenta, Card, Parola, Cheie mecanica si din Aplicatie
Tensiune de alimentare	6V
Nivel attentionare tensiune scazuta	4.8V
Consum in standby	≤50μA


Descriere componente yala



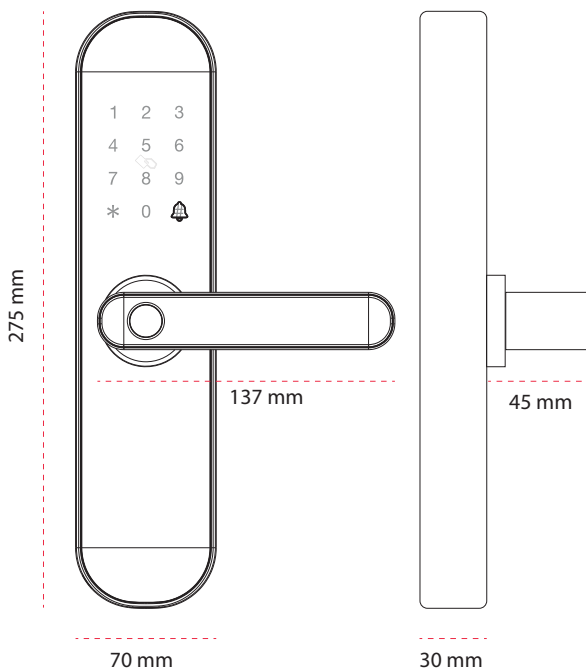
1. Corpul yalei din exteriorul usii
2. Element de fixare corp yala
3. Bara de otel cu profil patrat
4. Broasca (trebuie montata in usa)
5. Cabluri de conexiune
6. Corpul yalei din interiorul usii
7. Buton SET (adaugare administratori/useri, imperechere, resetare)
8. Suruburi de fixare corp yala
9. Capac compartiment baterii
10. Surub fixare compartiment baterii
11. Maner interior
12. Suruburi de fixare corp yala
13. Buton de deblocare a yalei
14. Element de deblocare
15. Limba
16. Suruburi fixare broasca

- 17. Element de fixare corp yala
- 18. Gaura pentru cheie
- 19. Port micro USB pentru alimentare de urgenta
- 20. Maner exterior

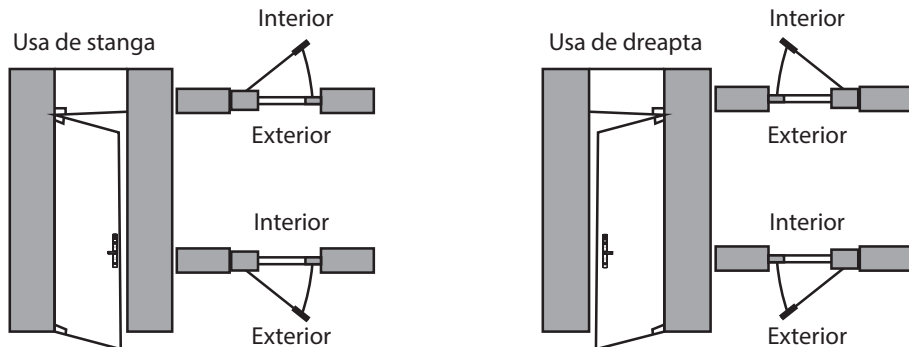
Accesorii incluse

		
<p>Bara de otel cu profil patrat (8 cm, 10 cm, 12 cm)</p>	<p>Element de fixare corp yala (3.5 cm, 5.5 cm)</p>	<p>Suruburi pentru fixare corp yala (3 cm, 5 cm, 7 cm, 9 cm)</p>

Dimensiuni yala



Directia de deschidere a usii



ATENTIONARI:

- Va recomandam sa apelati la personal calificat pentru instalarea yalei.
- Cititi cu atentie toate instructiunile inainte de a instala yala.
- Fiti atenti sa nu presati sau sa indoiti cablurile de conexiune in timpul instalarii.
- Inainte de a alege tipul de yala si inainte de a o instala, fiti atenti la directia de deschidere a usii (pe stanga sau pe dreapta).
- In timpul instalarii yalei, usa trebuie sa fie intredeschisa.
- Dupa ce ati instalat yala, testati mai intai metoda de deblocare cu parola (implicit 1234567890#) si cu cheie. Testati deschiderea yalei de pe ambele parti ale usii. Daca yala nu se deblocheaza cu nici una dintre metodele de mai sus, verificati conexiunea cablurilor.

Deschiderea yalei cu cheie

1. Cand yala este blocata, introduceti cheia mecanica in orificiul din partea de jos a corpului exterior al yalei.
2. Rotiti cheia.
3. Trageti de manerul yalei in sus.
4. Yala se va debloca.
5. Deschideti usa.

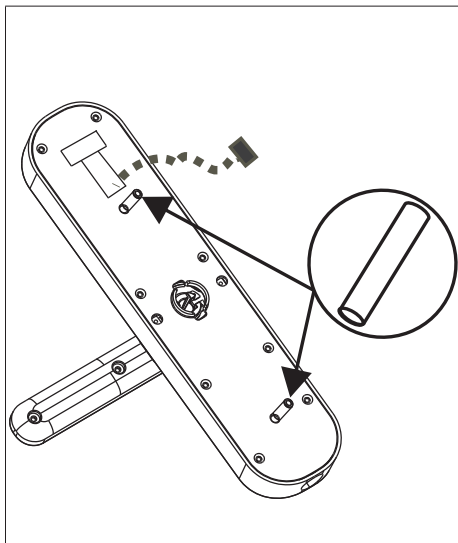
Instructiuni de instalare

1. Folositi macheta inclusa in pachet pentru a marca si a face gaurile necesare montarii yalei.
2. Instalati mai intai broasca. Fixati-o cu suruburile incluse.

Nota: in pachet sunt incluse mai multe accesorii de montaj care trebuie alese in functie de grosimea usii pe care se instaleaza yala. Consultati tabelul de mai jos pentru a alege accesoriile potrivite usii dvs.

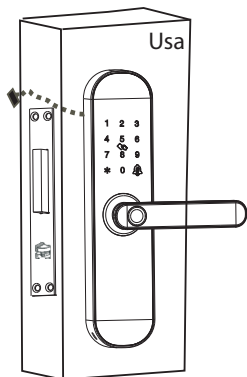
Grosime usa	Lungime bara cu profil patrat	Lungime element de fixare	Lungime suruburi pentru elementul de fixare
4.0 - 5.5 cm	8 cm	3.5 cm	3 cm si 5 cm
5.5 - 6 cm	8 cm	5.5 cm	3 cm si 5 cm
7.0 - 8.0 cm	10 cm	5.5 cm	5 cm si 7 cm
9.0 - 10 cm	12 cm	5.5 cm	7 cm si 9 cm

3. Instalati cele doua corpuri ale yalei:

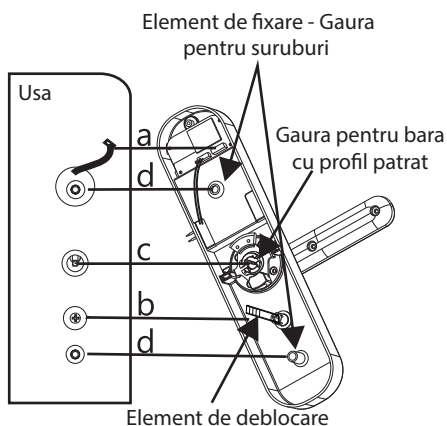


Instalati mai intai corpul exterior al yalei:

- Insurubati doua elemente de fixare pe spatele corpului exterior al yalei. Alegeti elementul de fixare in functie de grosimea usii dvs. Va rugam sa consultati tabelul de mai sus.



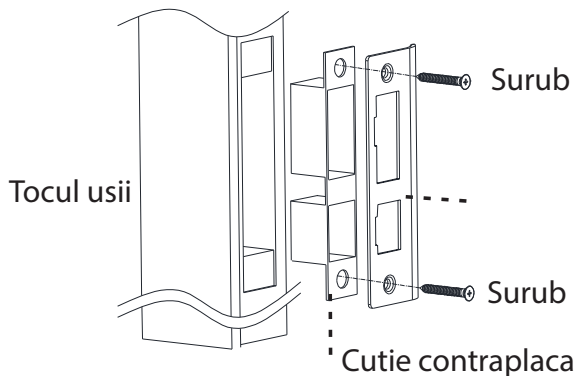
- Introduceți bara cu profil patrat în orificiul de pe spatele corpului exterior al yalei.
- Treceti cablurile de conexiune prin gaura facuta anterior în usa.
- Treceti bara cu profil patrat prin usa și prin broasca.
- Impingeti corpul yalei până se apropie de usa.



Instalati corpul interior al yalei:

- Introduceți conectorul de pe cablurile de conexiune care vin de la corpul exterior al yalei în mufa de pe spatele corpului interior al yalei.
- Introduceți elementul de blocare în orificiul dedicat de pe broasca. Puteti scurta elementul de blocare în funcție de grosimea usii.
- Introduceți bara cu profil patrat în orificiul dedicat de pe corpul interior al yalei. Impingeti corpul yalei până se apropie de usa.
- Aliniați elementele de fixare (care au fost anterior înșurubate pe corpul extern al yalei) în dreptul gaurilor de pe corpul interior al yalei. Acum fixați cele două corpuri ale yalei de usa, înșurubând cele două suruburi incluse în pachet. Consultați tabelul de mai sus pentru alegerea corectă a suruburilor în funcție de grosimea usii.

4. Instalati contraplaca



Instructiuni de utilizare

Adaugati Administrator:

1. Indepartati capacul de pe compartimentul pentru baterii.
2. Apasati scurt butonul SET sau apasati lung tasta * de pe tastatura. Veti auzi mesajul **“Please add administrator”**.



3. Inregistrati Administratorul cu **amprenta** (amprenta trebuie scanata de 3 ori), cu **card** sau cu **parola** (parola trebuie sa contina 6-8 cifre urmate de # si trebuie introdusa de 2 ori pentru inregistrare).
4. Veti auzi mesajul **“Add successfully”**.
5. Va puteti opri la un administrator sau puteti continua sa mai adaugati inca doi administratori.

Nota:

Apasati asta *: pentru inapoi si deconectare

Apasati tasta #: pentru confirmare

Adaugati Utilizator:

1. Indepartati capacul de pe compartimentul pentru baterii.
2. Apasati scurt butonul SET sau apasati lung tasta * de pe tastatura. Vetii auzi mesajul "**Please verify the administrator**".
3. Introduceti datele de verificare ale administratorului (in functie de metoda cu care v-ati inregistrat: amprenta, card, parola)
4. Inregistrati Utilizatorul cu **amprenta** (amprenta trebuie scanata de 3 ori), cu **card** sau cu **parola** (parola trebuie sa contina 6-8 cifre urmate de # si trebuie introdusa de 2 ori pentru inregistrare).
5. Vetii auzi mesajul "**Add successfully**".
6. Puteti continua sa adaugati utilizatori.

Stergeti Utilizator:

1. Indepartati capacul de pe compartimentul pentru baterii.
2. Apasati scurt butonul SET sau apasati lung tasta * de pe tastatura. Vetii auzi mesajul "**Please verify the administrator**".
3. Introduceti datele de verificare ale administratorului (in functie de metoda cu care v-ati inregistrat: amprenta, card, parola).
4. Apasati din nou scurt butonul SET sau apasati lung tasta *
5. Apasati tasta 1 - pentru a sterge toate amprentele utilizatorilor; Apasati tasta 2 - pentru a sterge toate parolele utilizatorilor; Apasati tasta 3 - pentru a sterge toate cardurile utilizatorilor; Apasati tasta 4 - pentru a sterge toti utilizatorii (Nota: Administratorul nu va fi sters).
6. Vetii auzi mesajul "**Successful**".

Reset yala:

1. Indepartati capacul de pe compartimentul pentru baterii.
2. Scoateti o baterie.
3. Tineti apasat butonul Reset in timp ce puneti bateria la loc.
4. Introduceti parola Master 075526929133#
5. Sistemul se va intoarce la setarile din fabrica. Parola implicita a Administratorului va deveni 1234567890#.
6. Dupa resetare, adaugati imediat un Administrator.

FUNCTII SUPLIMENTARE

Blocare in caz de parola gresita:

Daca parola a fost introdusa gresit de 5 ori la rand, sistemul se va bloca timp de 180 secunde. Puteti debloca sistemul daca va scanati amprenta sau cardul cu care v-ati inregistrat.

Avertizare tensiune scazuta:

Daca tensiunea bateriilor scade sub 4.8V, veti auzi mesajul **“The battery is used up, please replace battery”**. Inlocuiti bateriile.

Aplicatia Tuya Smart

Descarcati aplicatia **Tuya Smart** accesand Google Play sau App Store sau scanati codurile QR de mai jos:




Android



iOS

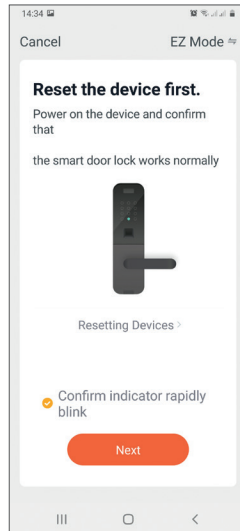
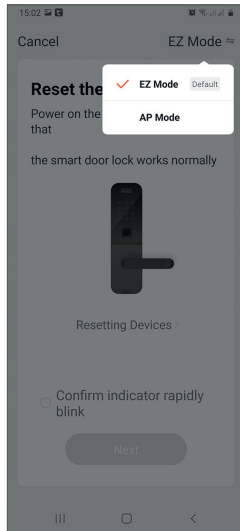
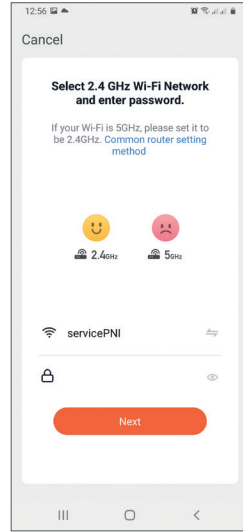
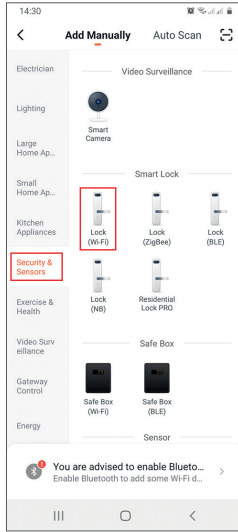
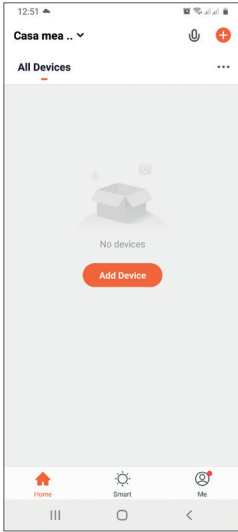
Adaugare yala in aplicatia Tuya Smart

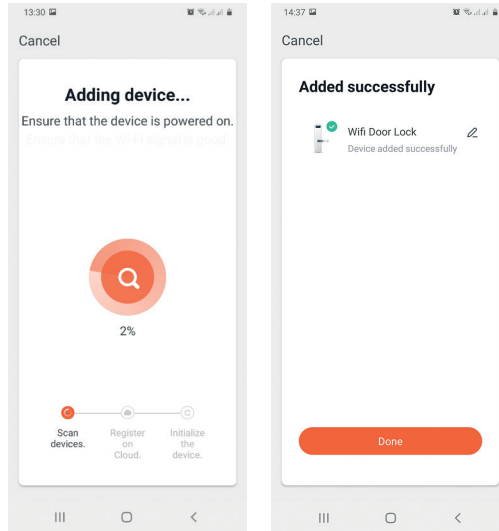
1. Deschideti aplicatia, creati-va cont si autentificati-va.
2. Adaugati dispozitivul dvs. apasand pictograma **+** din coltul dreapta sus al ecranului sau apasand butonul **Add device** (acest buton apare atunci cand nu aveti nici un dispozitiv adaugat in aplicatie).
3. Selectati din partea stanga a ecranului optiunea **Security & Sensors**.
4. Din lista de dispozitive din partea dreapta a ecranului, selectati **Lock (Wi-Fi)**

5. Selectati reseaua WiFi la care doriti sa va conectati si adaugati parola
6. In interfata urmatoare selectati din coltul dreapta sus optiunea **EZ Mode**.
7. Alimentati yala: unitatea din interior cu 4 baterii AA, iar unitatea de exterior, prin cablu, de la unitatea de interior. Nu puneti la loc capacul de pe compartimentul pentru baterii.

8. Pentru a pune yala in modul de imperechere urmati pasii de mai jos:
- Apasati scurt tasta Reset de sub zona bateriilor (bateriile nu sunt incluse):



- Sau apasati lung tasta * de pe panoul numeric al yalei exterioare.
 - Vetii auzi mesajul **Please add administrator**.
 - Inregistrati-va amprenta dvs. (de 3 ori consecutiv) sau cardul RFID sau parola (de 2 ori consecutiv) compusa din 6-8 cifre urmate de #.
 - Vetii auzi mesajul **Add successfully**.
 - Puteti continua sa adaugati administratori (maxim 3) sau puteti astepta pana cand yala iese din modul de adaugare administratori.
 - La final vetii auzi mesajul **Quick setting**.
 - Dupa ce ati adaugat administratori, apasati scurt tasta **3** + tasta **#** de pe panoul numeric al yalei exterioare.
 - Vetii auzi mesajul **Please verify admin**.
 - Introduceti parola, sau cardul sau amprenta cu care v-ati inregistrat.
 - Dupa cateva secunde, tasta 8 va incepe sa clipeasca.
 - Vetii auzi mesajul **Please connect Wifi by the phone**.
 - Yala acum se afla in modul de imperechere.
9. Intorceti-va in aplicatie si bifati **Confirm indicator rapidly blinks**. Click **Next**.
10. Dupa ce aplicatia identifica yala dvs., vetii primi confirmarea **Added Successfully**.
11. Pentru a finaliza, faceti click pe butonul **Done**.



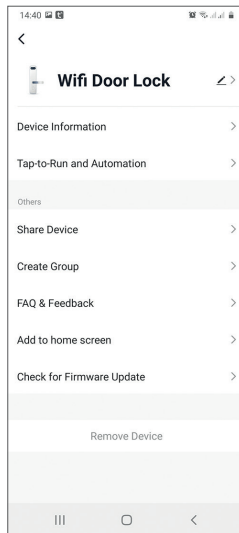
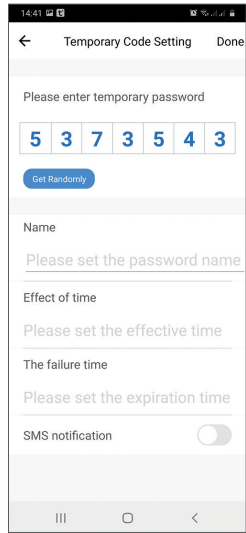
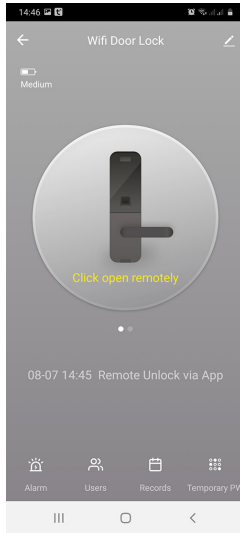
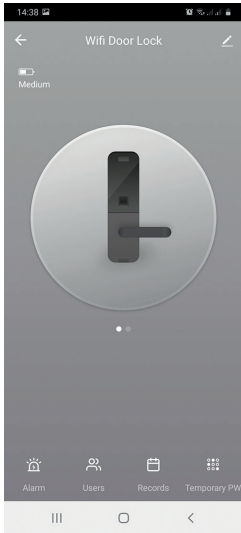


Control dispozitiv din aplicatie

Din aplicatie puteti genera parole temporare sau parole dinamice cu utilizare unica si valabilitate limitata (maxim 5 minute), puteti administra utilizatorii sau puteti vedea istoricul alarmelor si al actiunilor de deblocare/blocare a yalei.

Puteti deschide yala de la distanta si apasand mai intai pe tastatura yalei tasta 4 + tasta #, apoi, in aplicatie faceti click pe **Click open remotely**.

La fiecare deblocare a yalei, veti primi notificare pe telefonul mobil.



EN:

EU Simplified Declaration of Conformity

SC ONLINESHOP SRL declares that **Smart door lock PNI SafeHome PTY500BL/PTY500BR** complies with the Directive EMC 2014/30/EU and RED 2014/53/UE. The full text of the EU declaration of conformity is available at the following Internet address:

<https://www.mypni.eu/products/7269/download/certifications>

RO:

Declaratie UE de conformitate simplificata

SC ONLINESHOP SRL declara ca **Yala inteligenta acces hotelier PNI SafeHome PTY500BL/PTY500BR** este in conformitate cu Directiva EMC 2014/30/EU si RED 2014/53/UE. Textul integral al declaratiei UE de conformitate este disponibil la urmatoarea adresa de internet:

<https://www.mypni.eu/products/7269/download/certifications>

