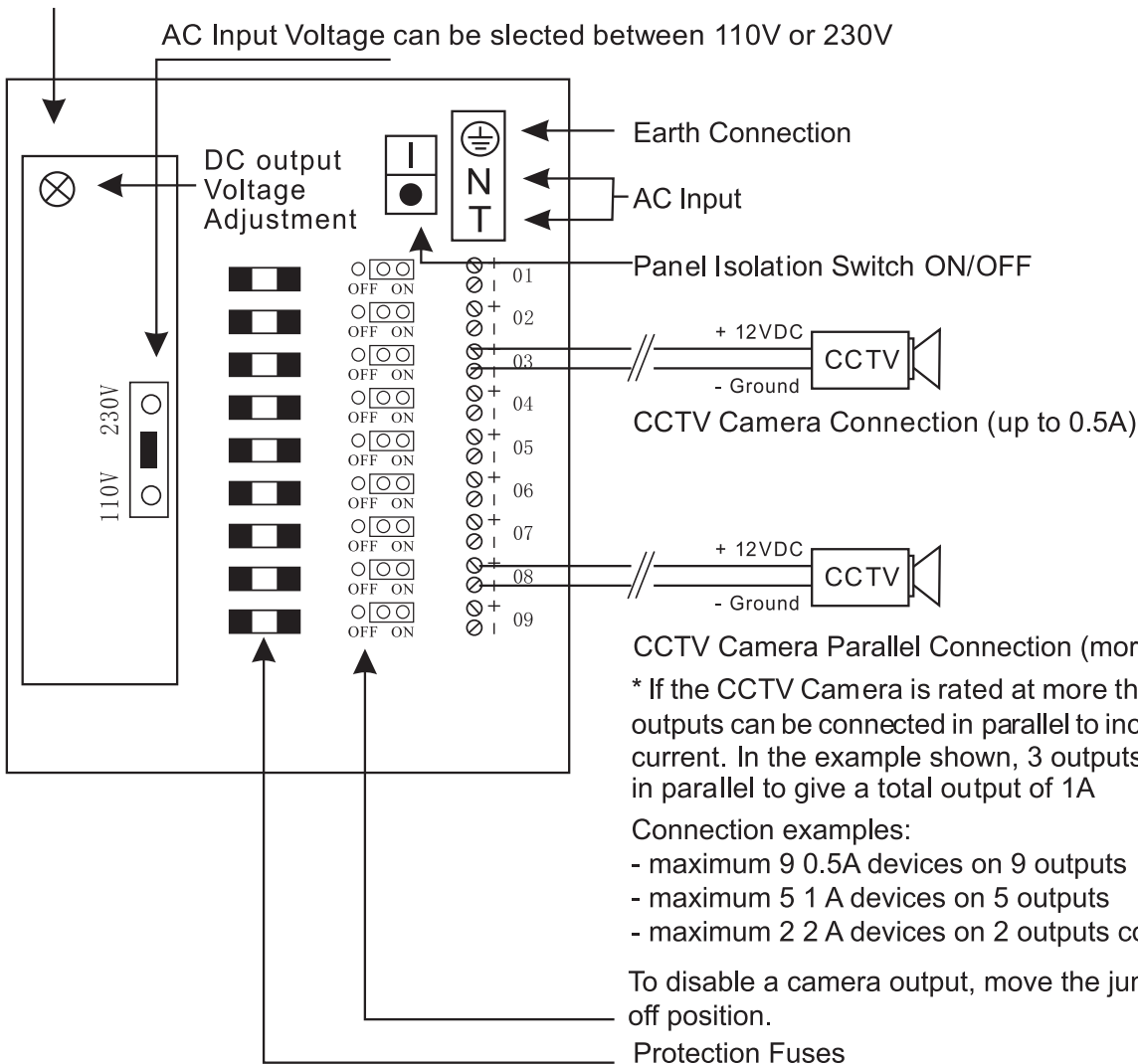


PNI STC5A CCTV power supply 12V-5A 9 outputs

Connection Diagram:

Switch Mode Power Supply



CCTV Camera Parallel Connection (more than 0.5A)

* If the CCTV Camera is rated at more than 0.5A, multiple outputs can be connected in parallel to increase the total output current. In the example shown, 3 outputs have been connected in parallel to give a total output of 1A

Connection examples:

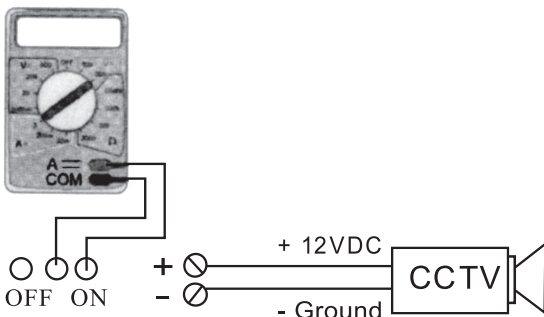
- maximum 9 0.5A devices on 9 outputs
- maximum 5 1 A devices on 5 outputs
- maximum 2 2 A devices on 2 outputs connected in parallel

To disable a camera output, move the jumper to the off position.

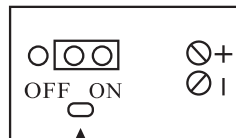
Protection Fuses

(Note:Fuses can be upgraded to 1A if required .
The total output must not exceed 5A)

Test & Measurement:



To determine the current(A) of a CCTV camera remove the jumper link, set your meter to $\overline{\text{A}}$ / Amps DC, and with the camera connected measure the current across the ON and COMMON terminals.



LED Fuse Status Indicator
LED ON = Fuse OK
LED OFF = Fuse Fault

Specifications:

Input Voltage: AC100~120V
AC220~240V

Output Current: 9X0.5A fused outputs (5A max)

Output Power: 60W

Dimensions(mm): 240(L)X210(W)X65(H)

* **For Indoor Use Only**

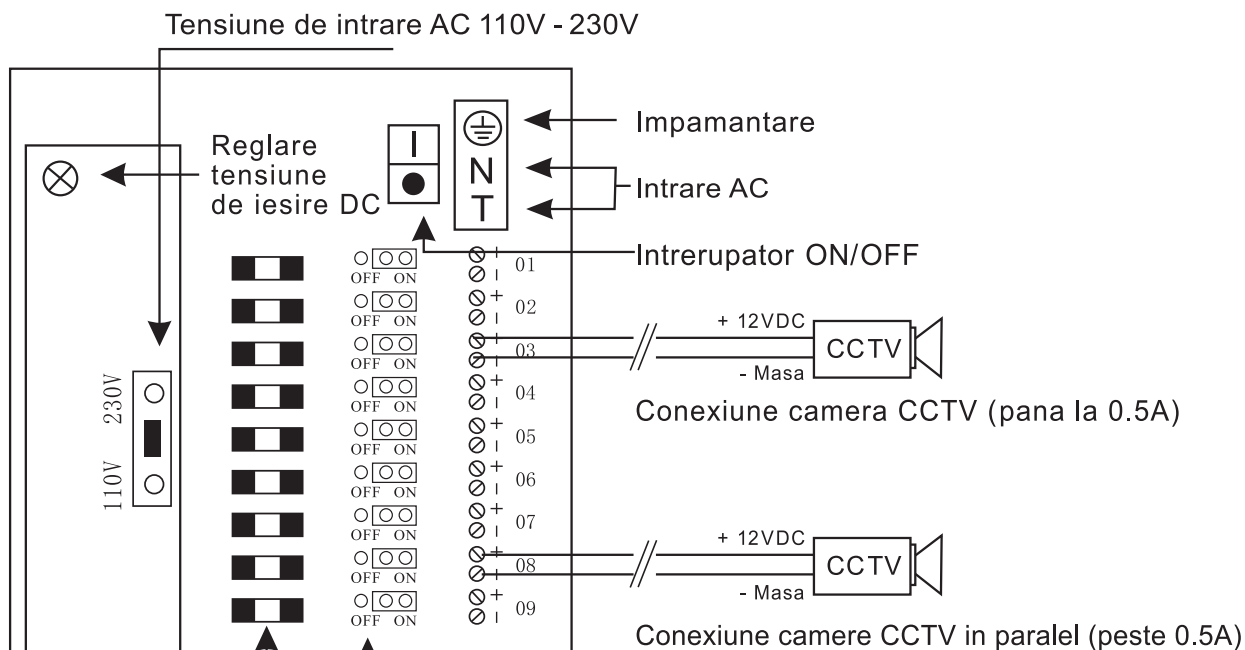
EU Simplified Declaration of Conformity

SC ONLINESHOP SRL declares that **PNI STC5A CCTV power supply** complies with the Directive EMC 2014/30/EU and LVD 2014/35/EU. The full text of the EU declaration of conformity is available at the following Internet address:

<https://www.mypni.eu/products/7629/download/certifications>

Sursa alimentare CCTV PNI STC5A 12V-5A 9 iesiri

Diagrama conexiuni:



*Cand camera CCTV are mai mult de 0.5A, mai multe iesiri pot fi conectate in paralel pentru a creste consumul total pe iesire. In exemplul prezentat, 3 iesiri au fost conectate in paralel pentru a da o iesire totala de 1A.

Exemple de conectare:

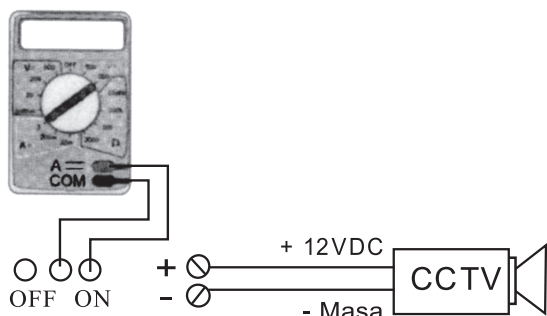
- maxim 9 dispozitive de 0.5A pe 9 iesiri
- maxim 5 dispozitive de 1 A pe 5 iesiri
- maxim 2 dispozitive de 2 A pe cate 2 iesiri legate in paralel

Pentru a dezactiva o iesire catre o camera, mutati jumper-ul pe pozitia off.

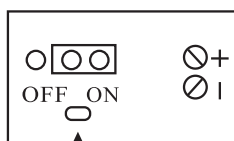
Sigurante de protectie

Nota: Daca este necesar, se pot folosi sigurante de 1A, Consumul total pe iesire nu trebuie sa depaseasca 5A

Testare si masurare:



Pentru a determina curentul (A) consumat de o camera, scoateti jumper-ul, setati aparatul de masura pe $\overline{\text{A}}$ A/Amps DC si cu camera conectata, masurati curentul prin terminalele ON si COMMON.



Indicator LED status siguranta
LED ON = Siguranta OK
LED OFF = Eroare siguranta

Specificatii tehnice:

Tensiune de intrare: AC100~120V
AC220~240V

Curent de iesire: 9 iesiri cu sigurante 0.5A (max. 5A)

Putere de iesire: 60W

Dimensiuni (mm): 240(L)X210(W)X65(H)

* Doar pentru montaj la interior

Declaratie UE de conformitate simplificata

SC ONLINESHOP SRL declara ca **Sursa alimentare CCTV PNI STC5A** este in conformitate cu Directiva EMC 2014/30/EU si Directiva LVD 2014/35/EU. Textul integral al declaratiei UE de conformitate este disponibil la urmatoarea adresa de internet:

<https://www.mypni.eu/products/7629/download/certifications>